



EXHAUST SYSTEM

CONTENTS

COMPONENT SERVICE	4	GENERAL SPECIFICATIONS	2
EXHAUST PIPES AND MUFFLERS	4	TORQUE SPECIFICATIONS	2
SPECIFICATIONS	2	TROUBLESHOOTING	3



SPECIFICATIONS

GENERAL SPECIFICATIONS

Exhaust system

Muffler

Coupling

Suspension system

Expansion resonance type

Spherical coupling

Rubber O-rings

TORQUE SPECIFICATIONS

Nm (ft.lbs.)

Front catalytic converter to rear catalytic converter

30–40 (22–29)

Rear catalytic converter to center pipe

39–59 (29–43)

Center pipe to main muffler

20–30 (14.5–21.5)

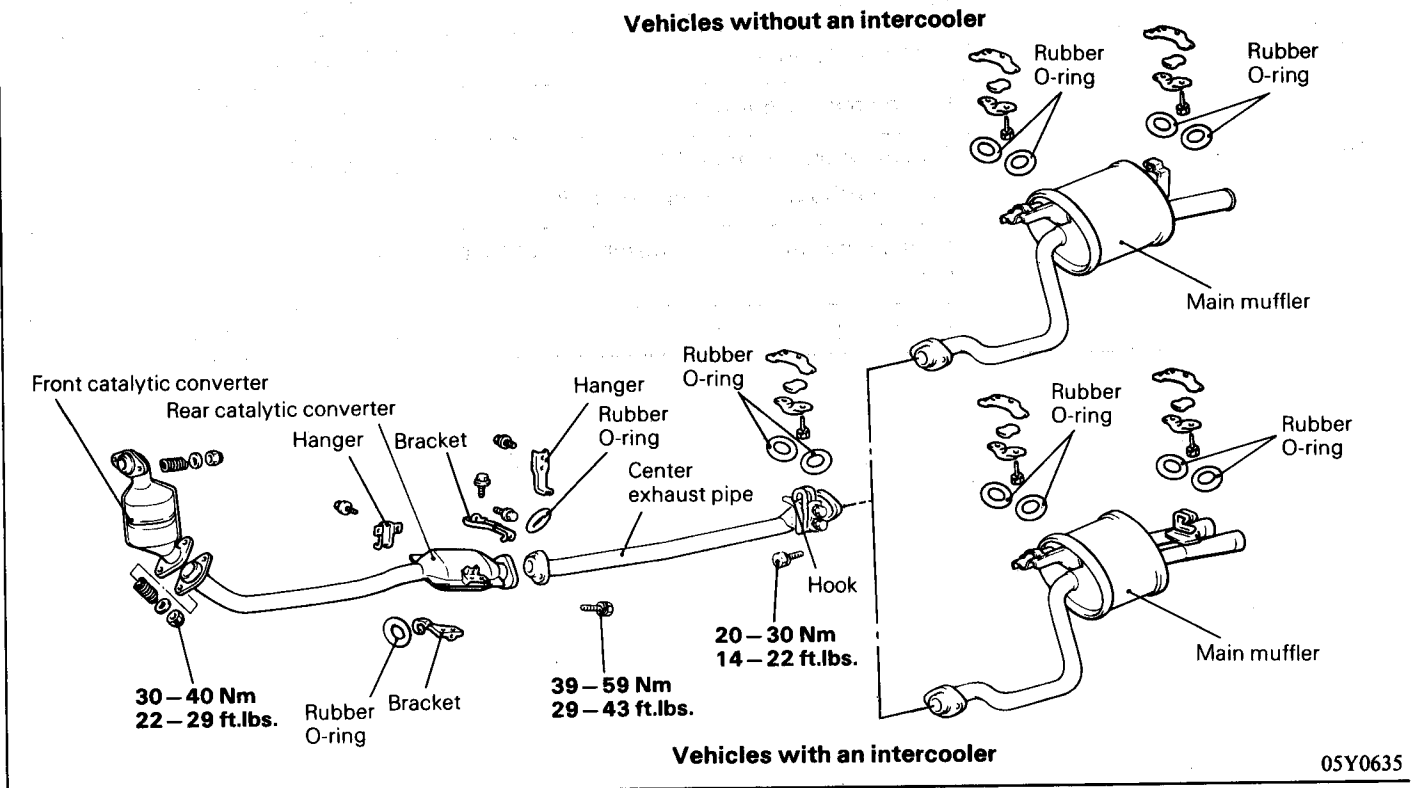
TROUBLESHOOTING



Symptom	Probable cause	Remedy
Exhaust gas leakage	Loose connections	Retighten
	Broken pipe or muffler	Repair or replace
Abnormal noise	Broken separator in muffler Broken rubber O-rings or suspender	Replace
	Interference of pipe or muffler with vehicle body	Correct
	Broken pipe or muffler	Repair or replace



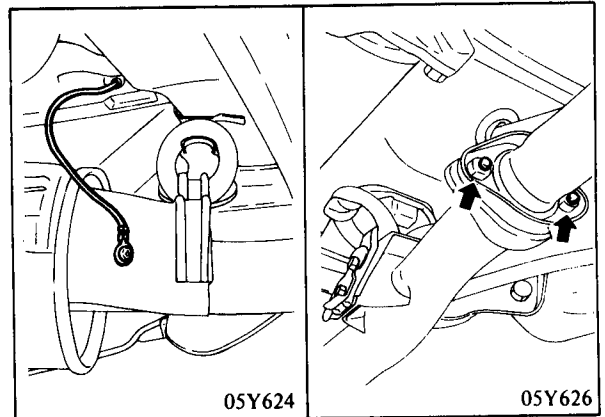
COMPONENTS



REMOVAL

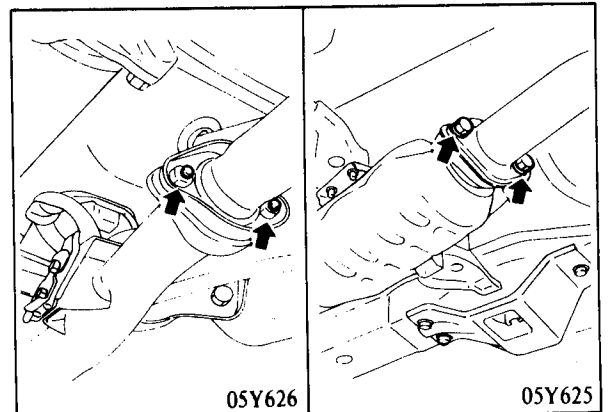
Main Muffler

1. Remove the ground cable. (05Y624)
2. Disconnect the main muffler from the center pipe. (05Y626)
3. Remove the rubber O-rings and take out the main muffler.



Center Exhaust Pipe

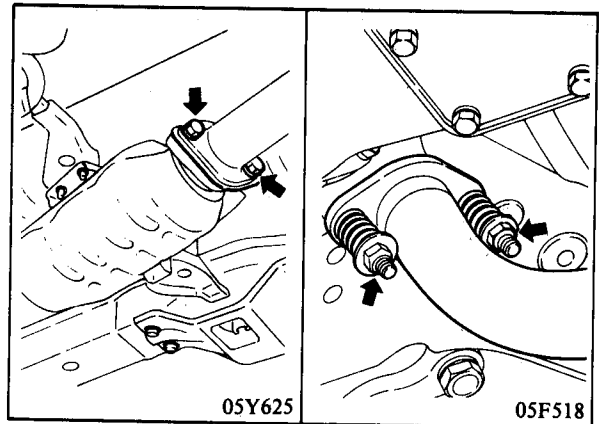
1. Disconnect the center pipe from the main muffler and the rear catalytic converter. (05Y626, 05Y625)
2. Remove the rubber O-rings and take out the center exhaust pipe.





Rear Catalytic Converter

1. Disconnect the rear catalytic converter from the center pipe and the front catalytic converter. (05Y625, 05F518)
2. Remove the rubber O-rings and take out the rear catalytic converter.



INSPECTION

1. Check the mufflers and pipes for corrosion and damage.
2. Check the O-rings for deterioration and cracks.

INSTALLATION

1. Temporarily install the rear catalytic converter assembly, the center exhaust pipe, and the main muffler, in that order.
2. Install the rubber O-rings so that they are identical (left and right) in length. (05Y623)
3. Tighten the parts securely, and then confirm that there is no interference with any body components.

