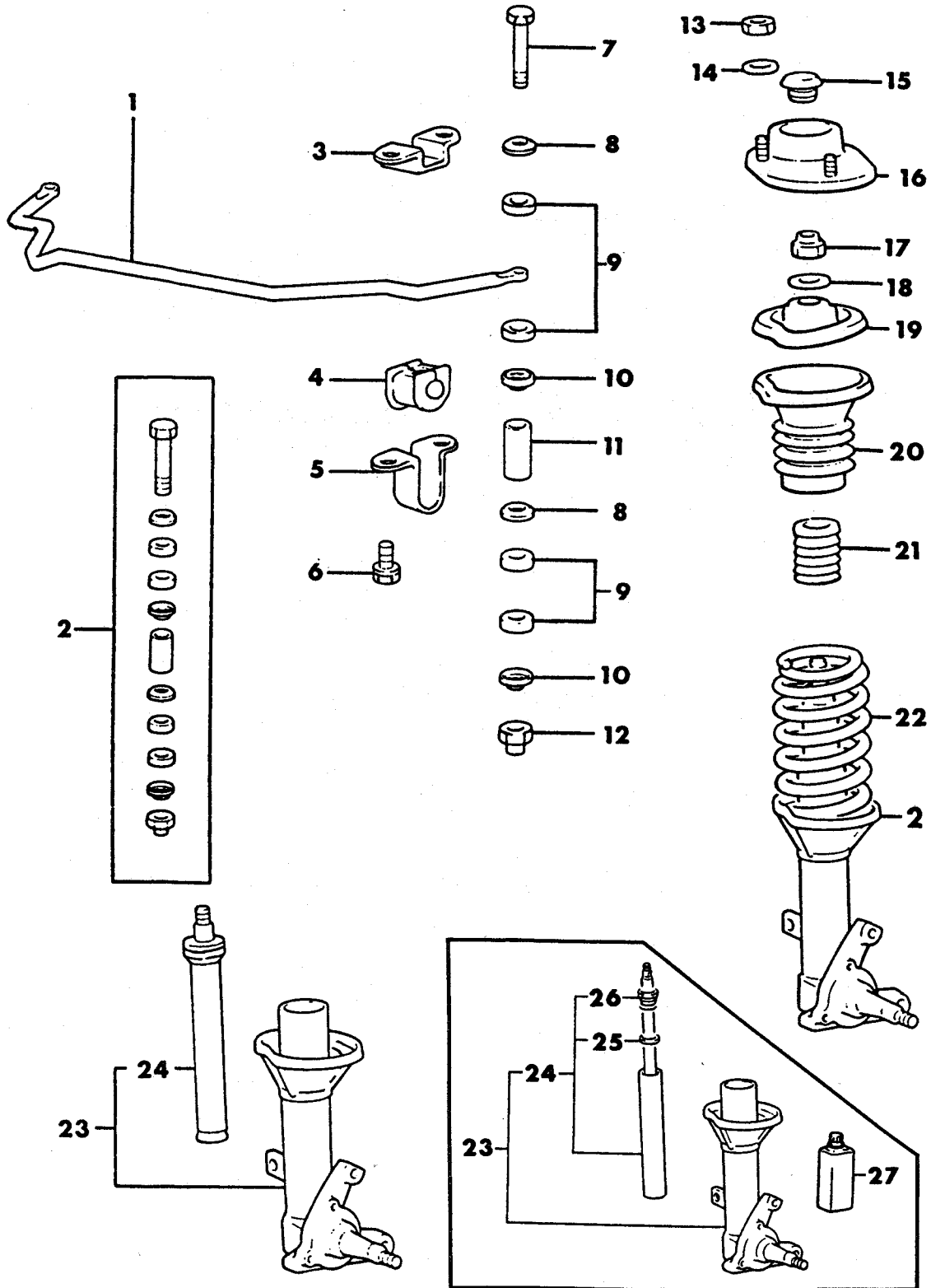


SUSPENSION, FRONT  
 24 RWD - CONQUEST

7702 300 A



NOT FOR RESALE - UNKNOWN SOURCE - DOWNLOADED FOR FREE FROM:  
 WWW.STARQUESTGARAGE.COM

# 1987-88 IMPORT PARTS CATALOG

Figure 2-300  
Illus. Page 2-7

FRONT SUSPENSION & DRIVE

ITEM	PART NUMBER	QTY	BODY	MODEL	DESCRIPTION
<b>SUSPENSION, FRONT</b>					
<b>24 RWD - CONQUEST</b>					
1	MB17 5715	1			BAR, Stabilizer
2	MB24 1429	1			STABILIZER LINK PACKAGE
3	MB17 5725	1			FIXTURE, Upper
4	MB17 5720	2			BUSHING
5	MB17 5726	1			FIXTURE, Lwr., Lt.
	MB17 5727	1			Rt.
6	MF24 1253	4			BOLT, w/Washer (8X20)
7					BOLT, Stabilizer (Serv. in Pkg.)
8					CUP, Joint, A (Serv. in Pkg.)
9					RUBBER, Stabilizer (Serv. in Pkg.)
10					CUP, Joint, B (Serv. in Pkg.)
11					COLLAR, Stabilizer (Serv. in Pkg.)
12					NUT, Self Locking, (Serv. in Pkg.)
13	MU43 0002	6			NUT, (10)
14	MF45 0406	6			WASHER, Spring (10)
15	MB57 3180	2			COVER, Dust, Insulator
16	MB17 5710	2			INSULATOR, Strut
17	MS44 0003	2			NUT, Self Locking (12)
18	MA15 0669	2			WASHER
19	MB57 3138	2			SEAT, Spring, Upper
20	MB10 9832	2			COVER, Dust
21	MB43 0570	2			BUMPER
22	MB43 0982	2			SPRING, Std. w/o Intercooler (1987)
	MB43 0983	2			w/Intercooler (1987-88)
	MB17 5702	2			w/Intercooler w/Handling Pkg.
23	MB34 9311	1			STRUT, Front Lt. w/o Intercooler (1987)
	MB43 0571	1			Lt. w/Intercooler (1987-88)
	MB57 3015	1			Lt. w/Intercooler w/Handling Pkg.
	MB34 9312	1			Rt. w/o Intercooler (1987)
	MB43 0572	1			Rt. w/Intercooler (1987-88)
	MB57 3016	1			Rt. w/Intercooler w/Handling Pkg.
24	MB51 8002	2			ABSORBER, Shock w/o Intercooler
	MB43 0586	2			w/Intercooler (1987)
	MB43 0577	2			w/Intercooler (1988)
25	MB17 6216	2			SEAL, Oil w/o Intercooler
26	MB00 1989	2			RING, Square w/o Intercooler
27	MB57 3145	2			OIL, (450cc) w/o Intercooler

<b>ENGINE:</b>	Q=1500 cc	A=2000 cc	<b>TRANS:</b>	A=Automatic	4=4-Speed Manual
Blank=All	K=1600 cc (w/o Balance Shaft)	F=2600 cc (Car)	Blank=All	M=All Manual	5=5-Speed Manual
	W=2600 cc (Truck)				8=4 x 2 Manual

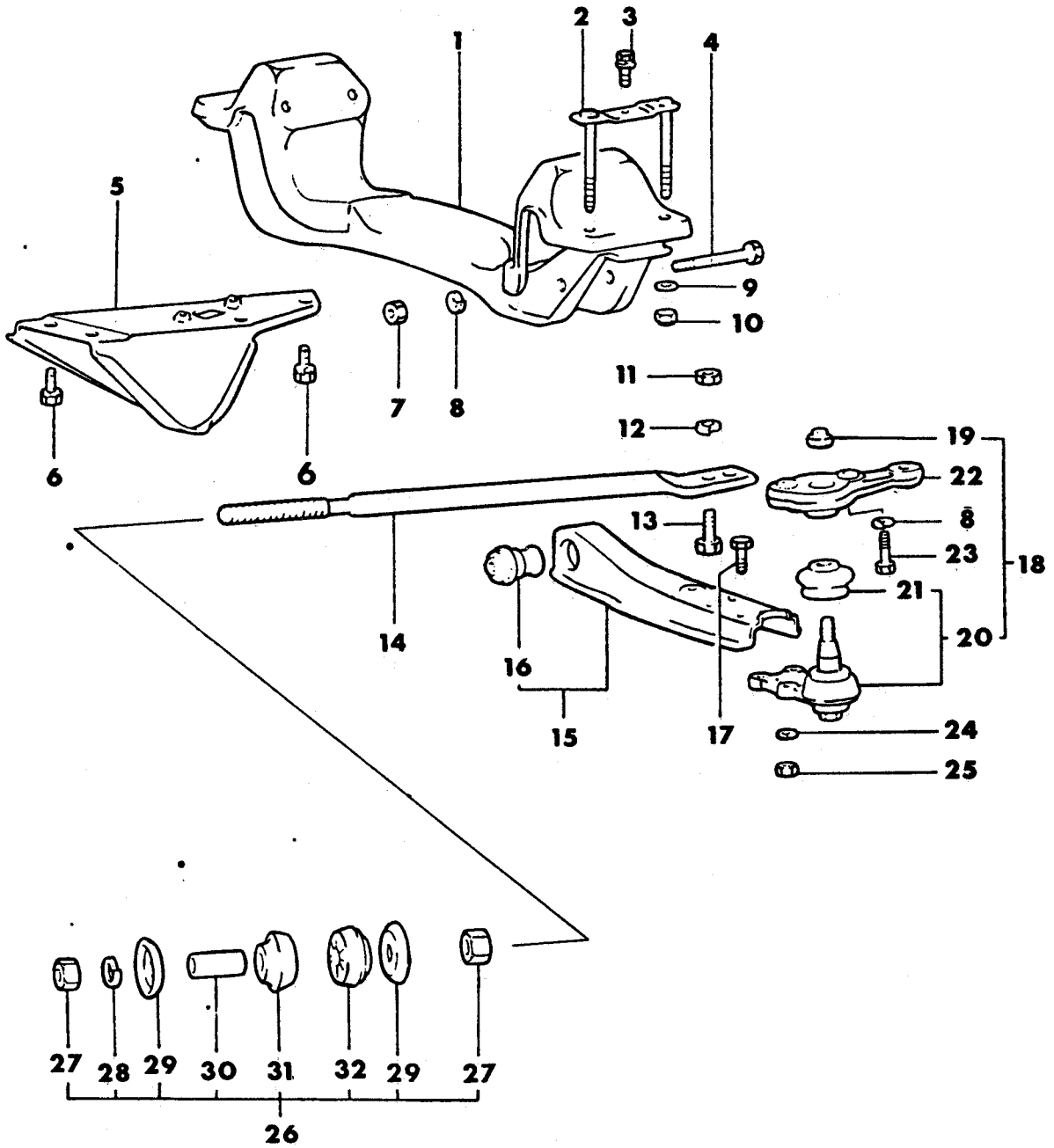
<b>SERIES:</b>	H=High	<b>MODELS:</b>	24 FWD=2-Dr Hatchback (Colt)	27 RWD-4WD=Pickup (Ram 50, Power Ram 50)
L=Low	P=Premium		24 RWD=2-Dr Hatchback (Conquest)	27 4WD=Sport Utility (Raider)
M=Medium	S=Special		41 FWD=4-Dr Sedan (Colt & Eagle Vista)	45 FWD=4-Dr Station Wagon (Colt)
				45 FWD-4WD=Station Wagon (Vista)

AR=Use as Required      # = New Part Number      - = Non Illustrated Part      Printed in U.S.A.      FEBRUARY, 1989

NOT FOR RESALE - UNKNOWN SOURCE - DOWNLOADED FOR FREE FROM: WWW.STARQUESTGARAGE.COM

CROSSMEMBER, LWR. CONTROL FRT.  
24 RWD - CONQUEST

7702 400



NOT FOR RESALE - UNKNOWN SOURCE - DOWNLOADED FOR FREE FROM:  
WWW.STARQUESTGARAGE.COM

# 1987-88 IMPORT PARTS CATALOG

Figure 2-400  
Illus. Page 2-9

FRONT SUSPENSION & DRIVE

ITEM	PART NUMBER	QTY	BODY	MODEL	DESCRIPTION
<b>CROSSMEMBER, LWR. CONTROL FRT. 24 RWD - CONQUEST</b>					
1		1			<b>CROSSMEMBER (See Grp. 19)</b>
2	MB10 9746	2			BOLT, Crossmember
3	MS24 0139	2			BOLT, w/Washer (8x16)
4	MB17 5643	2			BOLT, (12x86)
5	MB10 9741	1			<b>BRACKET, Strut Bar, Lt. w/o Intercooler</b>
	MB43 0555	1			Lt., w/Intercooler
	MB10 9742	1			Rt., w/o Intercooler
	MB43 0556	1			Rt., w/Intercooler
6	MF24 1280	8			<b>BOLT</b>
7	MF43 0123	2			<b>NUT, (12)</b>
8	MS45 0044	6			WASHER, Spring (12)
9	MB10 9749	4			WASHER, Plain (12)
10	MF44 5243	4			<b>NUT, Self Locking (12)</b>
11	MU43 0002	4			<b>NUT, (10)</b>
12	MS45 0043	4			WASHER, Spring (10)
13	MB17 5646	4			<b>BOLT</b>
14	MB00 1995	1			<b>BAR, Strut Lt. w/o Intercooler</b>
	MB43 0553	1			Lt., w/Intercooler
	MB00 1996	1			Rt., w/o Intercooler
	MB43 0554	1			Rt., w/Intercooler
15	MB10 9971	1			<b>ARM, Lower Lt. w/o Intercooler</b>
	MB43 0543	1			Lt., w/Intercooler
	MB10 9972	1			Rt., w/o Intercooler
	MB43 0544	1			Rt., w/Intercooler
16	MB10 9786	2			<b>BUSHING</b>
17	MB17 5645	4			<b>BOLT</b>
18	MB18 5329	2			<b>BALL JOINT PACKAGE</b>
19	MS44 0003	2			<b>NUT, Self Locking (12)</b>
20					<b>JOINT, Ball (Serv. in Pkg.)</b>
21	MA47 1099	2			<b>COVER, Dust, Ball Joint</b>
22	MB43 0900	1			<b>ARM, Knuckle w/o Intercooler</b>
	MB43 0910	1			Lt., w/Intercooler
	MB43 0901	1			Rt., w/o Intercooler
	MB43 0911	1			Rt., w/Intercooler
23	MB10 9849	4			<b>BOLT</b>
24	MS45 0043	4			WASHER, Spring (10)
25	MU43 0002	4			<b>NUT, (10)</b>
26		2			<b>STRUT BAR PACKAGE</b>
	MB17 5619	2			w/o Intercooler
	MB17 6373	2			w/Intercooler (1987)
	MB17 5619	2			(1988)
27					<b>NUT, (Serv. in Pkg.)</b>
28					<b>WASHER, Spring (Serv. in Pkg.)</b>
29					<b>WASHER, (Serv. in Pkg.)</b>
30					<b>COLLAR, (Serv. in Pkg.)</b>
31					<b>BUSHING, Strut Bar (Serv. in Pkg.)</b>
32					<b>BUSHING, Strut Bar (Serv. in Pkg.)</b>

<b>ENGINE:</b>	Q=1500 cc	A=2000 cc	<b>TRANS:</b>	A=Automatic	4=4-Speed Manual
Blank=All	K=1600 cc (w/o Balance Shaft)	F=2600 cc (Car)	Blank=All	M=All Manual	5=5-Speed Manual
	W=2600 cc (Truck)				8=4 x 2 Manual
<b>SERIES:</b>	H=High	<b>MODELS:</b> 24 FWD=2-Dr Hatchback (Colt)		27 RWD=4WD=Pickup (Ram 50, Power Ram 50)	
L=Low	P=Premium	24 RWD=2-Dr Hatchback (Conquest)	27 4WD=Sport Utility (Raider)	45 FWD=4-Dr Station Wagon (Colt)	
M=Medium	S=Special	41 FWD=4-Dr Sedan (Colt & Eagle Vista)		45 FWD=4WD=Station Wagon (Vista)	
AR=Use as Required	# =New Part Number	--=Non Illustrated Part			