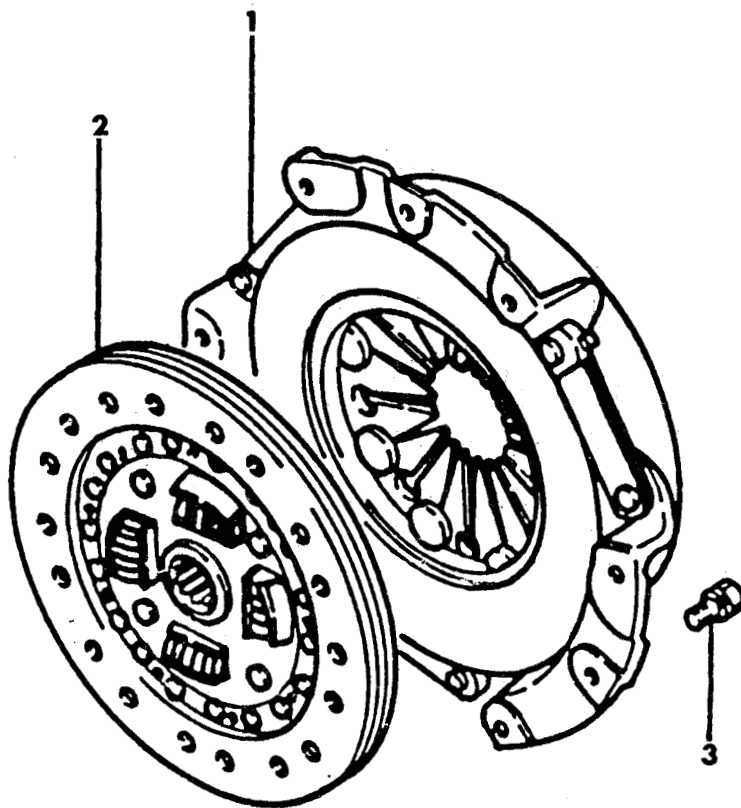


CLUTCH
ALL MODELS

7708 100



1987-88 IMPORT PARTS CATALOG

Figure 6-100
Illus. Page 6-3

CLUTCH

ITEM	PART NUMBER	QTY	BODY	MODEL	DESCRIPTION
------	-------------	-----	------	-------	-------------

CLUTCH
ALL MODELS

ITEM	PART NUMBER	QTY	BODY	MODEL	DESCRIPTION
COVER and PLATE ASSEMBLY, Clutch Pressure					
1	MD80 2071	1		24	Q Eng. 4 Speed Trans.
	MD71 0881	1		24,41	Q Eng. 5 Speed Trans.
	MD80 2071	1		45	Q Eng. 5 Speed Trans.
	MD71 4709	1		24,41	K Eng. 5 Speed Trans.
	MD80 2071	1		45	A Eng. 5 Speed Trans., Up To Nov. 1986
	MD72 1341	1		45	A Eng. 5 Speed Trans., From Nov. 1986
	MD73 2565	1		45	A Eng. 5 Speed Trans., After Mar. 1988
	MD72 1342	1		45 4WD	A Eng. 5 Speed Trans., Up To Nov. 1986
	MD72 1341	1		45 4WD	A Eng. 5 Speed Trans., From Nov. 1986
	MD73 2565	1		45 4WD	A Eng. 5 Speed Trans., After Mar. 1988
	MD80 2092	1		27	A Eng. 5 Speed Trans.
	MD80 2112	1		24	F Eng. 5 Speed Trans., w/TURBO w/o Intercooler
	MD71 7086	1		P-24	F Eng. 5 Speed Trans., w/TURBO w/Intercooler, 1987
	MD72 7707	1		P-24	1988
	MD72 4736	1		27 RAM	W Eng. 5 Speed Trans.
	MD72 4736	1		27 RAIDER	W Eng. 5 Speed Trans.
DISC, Clutch					
2	MD71 9548	1		24	Q Eng. 4 Speed Trans.
	MD72 0064	1		24,41	Q Eng. 5 Speed Trans.
	MD71 9548	1		45	Q Eng. 5 Speed Trans.
	MD71 9548	1		24,41	K Eng. 5 Speed Trans.
	MD70 5097	1		45	A Eng. 5 Speed Trans., Up To Nov. 1986
	MD72 4849	1		45	A Eng. 5 Speed Trans., After Nov. 1986
	MD72 1401	1		45 4WD	A Eng. 5 Speed Trans.
	MD72 4823	1		27	A Eng. 5 Speed Trans.
	MD71 5522	1		24	F Eng. 5 Speed Trans., w/TURBO w/o Intercooler
	MD71 7085	1		P-24	F Eng. 5 Speed Trans., w/TURBO w/Intercooler, (Asbestos Type), 1987
	MD73 1406	1		P-24	F Eng. 5 Speed Trans., w/TURBO w/Intercooler, (Asbestos Free Type), 1987
	MD72 8637	1		P-24	1988
	MD72 3861	1		27 RAM	W Eng. 5 Speed Trans.
	MD72 3861	1		27 RAIDER	W Eng. 5 Speed Trans.
3	MF24 1251	6			BOLT, w/Washer, (8x16)

ENGINE:	Q=1500 cc	A=2000 cc	TRANS:	A=Automatic	4=4-Speed Manual
Blank=All	K=1600 cc (w/o Balance Shaft)	F=2600 cc (Car)	Blank=All	M=All Manual	5=5-Speed Manual
	W=2600 cc (Truck)				8=4 x 2 Manual

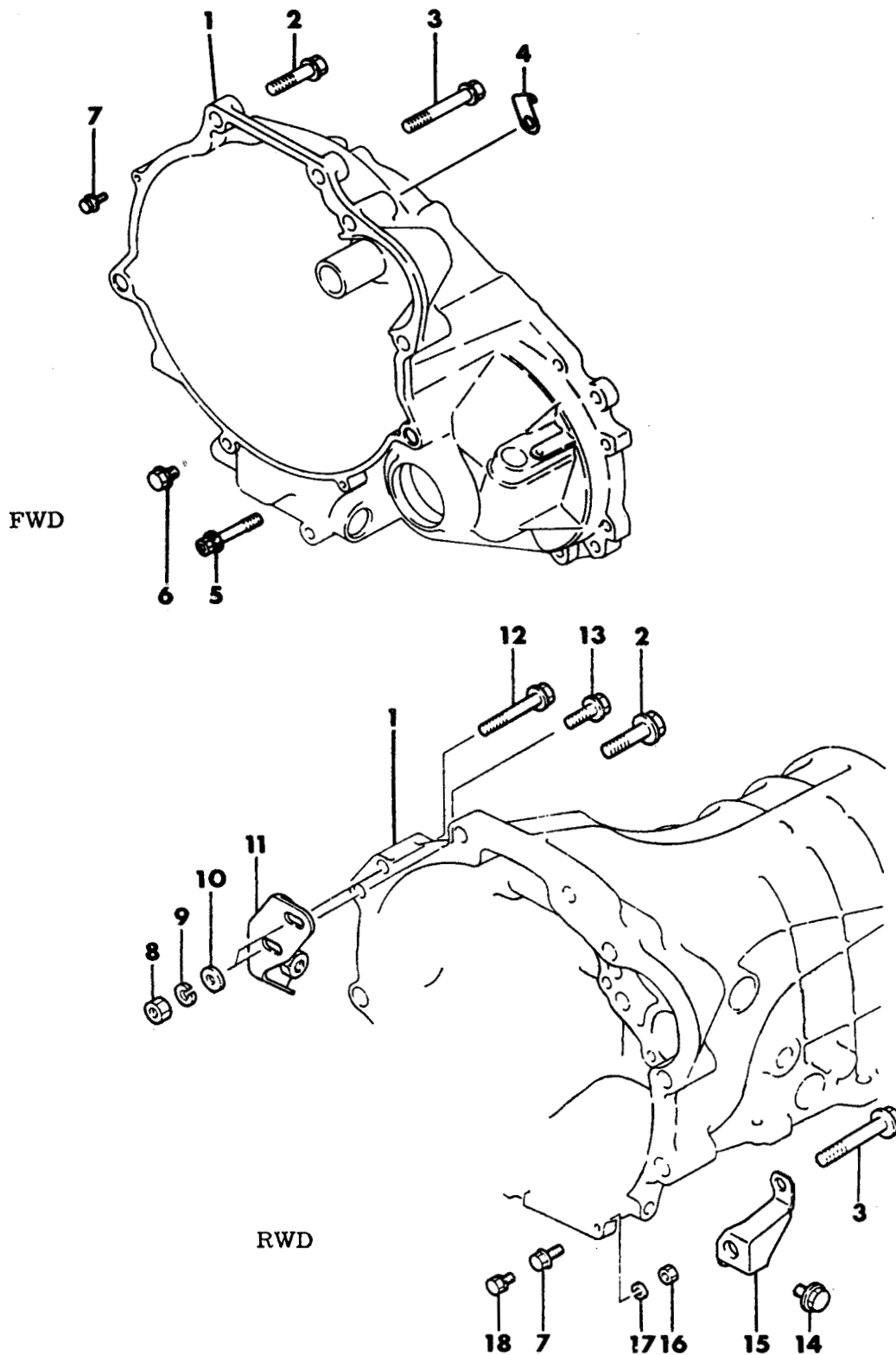
SERIES:	H=High	MODELS:	24 FWD=2-Dr Hatchback (Colt)	27 RWD-4WD=Pickup (Ram 50, Power Ram 50)
L=Low	P=Premium		24 FWD=2-Dr Hatchback (Conquest)	27 4WD=Sport Utility (Raider)
M=Medium	S=Special		41 FWD=4-Dr Sedan (Colt & Eagle Vista)	45 FWD=4-Dr Station Wagon (Colt)
				45 FWD-4WD=Station Wagon (Vista)

AR=Use as Required # =New Part Number - =Non Illustrated Part Printed in U.S.A. FEBRUARY, 1989

NOT FOR RESALE - UNKNOWN SOURCE - DOWNLOADED FOR FREE FROM: WWW.STARQUESTGARAGE.COM

HOUSING, CLUTCH w/MOUNTING BOLTS
ALL MODELS

7708 200



1987-88 IMPORT PARTS CATALOG

Figure 6-200
Illus. Page 6-5

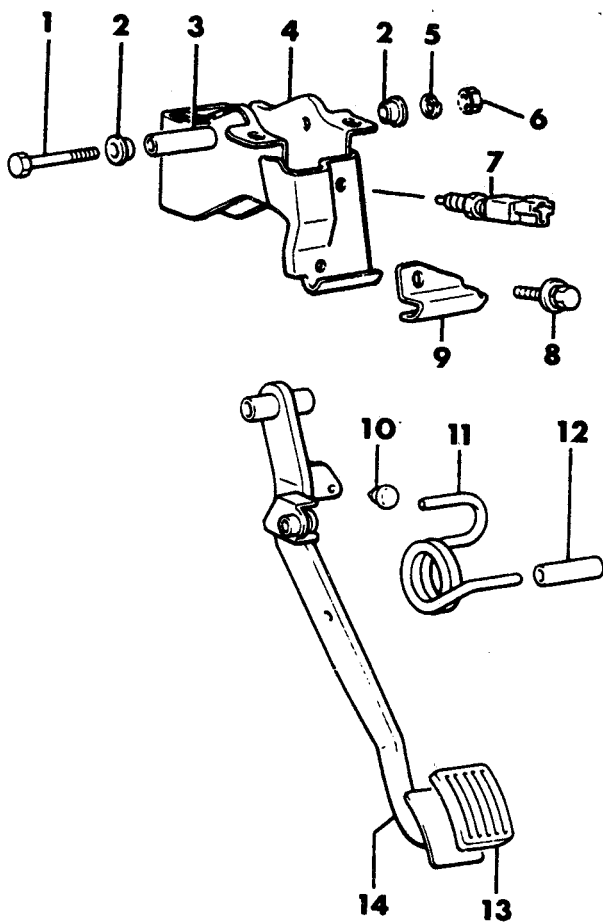
CLUTCH

ITEM	PART NUMBER	QTY	BODY	MODEL	DESCRIPTION
HOUSING, CLUTCH w/MOUNTING BOLTS ALL MODELS					
1	HOUSING, Clutch				
	MD72 2958	1		24	Q Eng. 4 Speed Trans., Up To July 87
	MD73 0411	1		24	Q Eng. 4 Speed Trans., After July 87
	MD72 3748	1		24,41	Q Eng. 5 Speed Trans., Up To July 87
	MD73 0412	1		24,41	Q Eng. 5 Speed Trans., After July 87
	MD72 3297	1		24,41	K Eng. 5 Speed Trans.
	MD71 5180	1		45	A Eng. 5 Speed Trans.
	MD71 4291	1		45 4WD	A Eng. 5 Speed Trans.
	MD72 3815	1		27 RWD	A Eng. 5 Speed Trans.
	MD72 5272	1		27 RWD	W Eng. 5 Speed Trans.
	MD70 3962	1		24 RWD	F Eng. 5 Speed Trans., w/TURBO w/o Intercooler
	MD72 5856	1		P-24 RWD	F Eng. 5 Speed Trans., w/TURBO w/Intercooler
	MD72 5272	1		27 4WD-RAM	W Eng. 5 Speed Trans.
	MD72 5856	1		27 RAIDER	W Eng. 5 Speed Trans.
2	MF14 0266	2			BOLT, Flange, (10x40)
3	MF14 0271	1		24,41,45	BOLT, Flange, (10x65)
	MF14 0271	2		24 RWD	
	MF14 0271	1		27	
4	MD70 4225	1		24	FASTENER, Cord, Q Eng. 4 Speed Trans.
	MD70 4763	1		24,41	
5	MD70 6012	1		24,41,45	BOLT, w/Washer, (8x60)
6	MF14 0021	1		24,41,45	BOLT, Bell Hsg.& Cover Flange, (8x12)
7	MF24 1223	2		24,41,45	BOLT, w/Washer, (6x12)
	MF14 0206	2		24 RWD	(6x18)
	MF24 1223	2		27	(6x12)
8	MF43 0005	2			NUT, (8)
9	MF45 0405	2			WASHER, Spring
10	MF45 0005	2		27	WASHER, Plain, (8)
11	MD95 2240	1		27 RWD	BRACKET, Clutch Cable Support, A Eng.
	MD70 3100	1		27	W Eng.
12	MF14 0236	1			BOLT, Flange, (8x55)
13	MS10 0941	1			BOLT, Flange, (8x25)
14	MF14 0221	1		27	BOLT, Flange, (8x12)
15	MD70 5130	1		27	BRACKET, Clutch Cable Support
16	MF43 0004	2			NUT, (6)
17	MF45 0404	2			WASHER, Spring, (6)
18	MF14 0206	2			BOLT, Flange, (6x18)

ENGINE:	Q=1500 cc	A=2000 cc	TRANS:	A=Automatic	4=4-Speed Manual
Blank=All	K=1600 cc (w/o Balance Shaft)	F=2600 cc (Car)	Blank=All	M=All Manual	5=5-Speed Manual
	W=2600 cc (Truck)				8=4 x 2 Manual
SERIES:	H=High	MODELS:	24 FWD=2-Dr Hatchback (Colt)	27 RWD-4WD=Pickup (Ram 50, Power Ram 50)	
L=Low	P=Premium		24 RWD=2-Dr Hatchback (Conquest)	27 4WD=Sport Utility (Raider)	45 FWD=4-Dr Station Wagon (Colt)
M=Medium	S=Special		41 FWD=4-Dr Sedan (Colt & Eagle Vista)		45 FWD-4WD=Station Wagon (Vista)
AR=Use as Required	# =New Part Number	--Non Illustrated Part		Printed in U.S.A.	FEBRUARY, 1989

7708 500 B

PEDAL, CLUTCH
24 RWD - CONQUEST



1987-88 IMPORT PARTS CATALOG

Figure 6-500
Illus. Page 6-11

CLUTCH

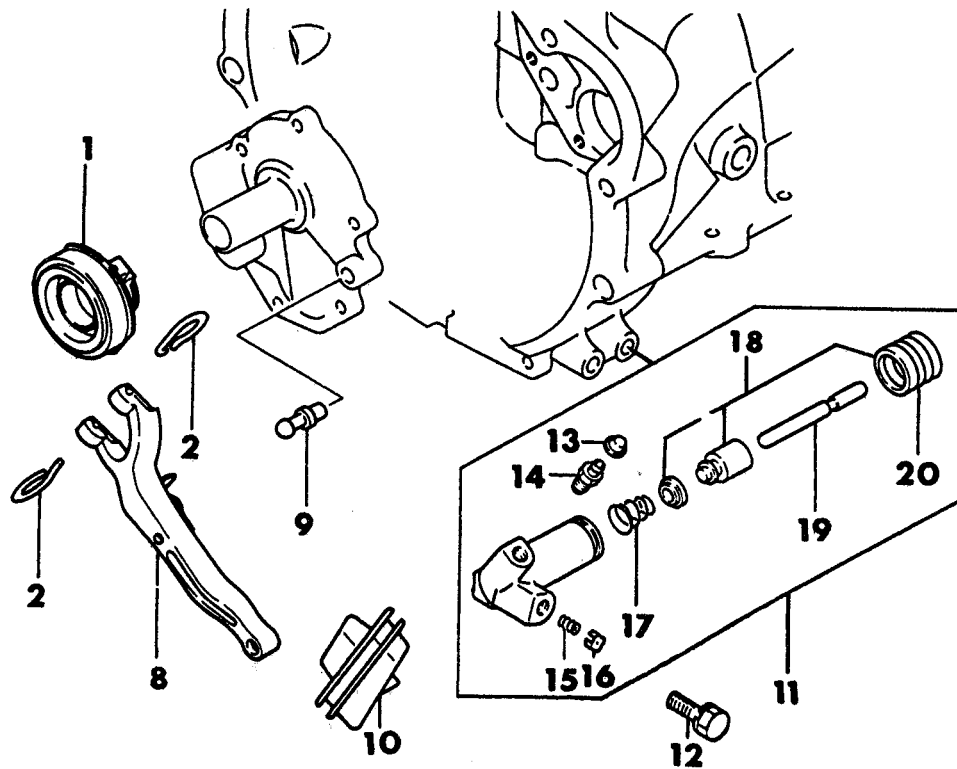
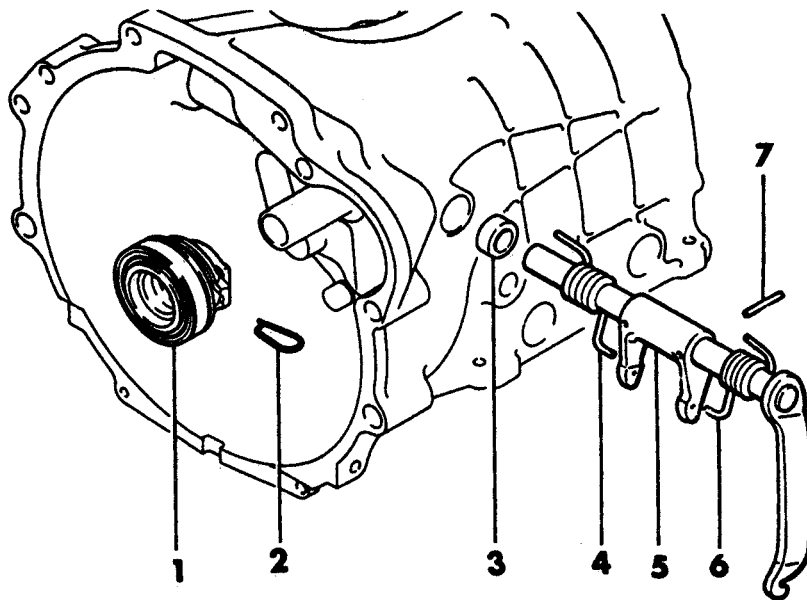
ITEM	PART NUMBER	QTY	BODY	MODEL	DESCRIPTION
PEDAL, CLUTCH 24 RWD - CONQUEST					
1	MF10 4898	1			BOLT, (10x75)
2	MB05 8634	2			BUSHING, Pedal
3	MB15 1139	1			SPACER
4	MB01 2218	1			BRACKET, Clutch Pedal
5	MF45 0406	1			WASHER, Spring (10)
6	MF43 0122	1			NUT, (10)
7	MB43 5457	1			SWITCH, Clutch Cut-Off, Optional w/Speed Control
8	MF14 0022	1			BOLT, w/Washer, (8x16)
9	MB01 2222	1			CLIP
10	MB15 1298	1			STOPPER, Clutch Pedal
11	MB01 2204	1			SPRING, Pedal
12	MB01 2205	1			BUSHING, Pedal Spring
13	MA12 6093	1			PAD, Pedal
14	MB01 2216	1			PEDAL, Clutch

ENGINE:	Q=1500 cc	A=2000 cc	TRANS:	A=Automatic	4=4-Speed Manual
Blank=All	K=1600 cc (w/o Balance Shaft)	F=2600 cc (Car)	Blank=All	M=All Manual	5=5-Speed Manual
	W=2600 cc (Truck)				8=4 x 2 Manual
SERIES:	H=High	MODELS: 24 FWD=2-Dr Hatchback (Colt) 27 RWD-4WD=Pickup (Ram 50, Power Ram 50)			
L=Low	P=Premium	24 RWD=2-Dr Hatchback (Conquest)	27 4WD=Sport Utility (Raider)	45 FWD=4-Dr Station Wagon (Colt)	
M=Medium	S=Special	41 FWD=4-Dr Sedan (Colt & Eagle Vista)		45 FWD-4WD=Station Wagon (Vista)	
AR=Use as Required	# =New Part Number	- =Non Illustrated Part		Printed in U.S.A.	FEBRUARY, 1989

NOT FOR RESALE - UNKNOWN SOURCE - DOWNLOADED FOR FREE FROM: WWW.STARQUESTGARAGE.COM

CONTROLS, CLUTCH
24 CONQUEST, 27 RAM, POWER RAM, 27 RAIDER

7706 800



1987-88 IMPORT PARTS CATALOG

Figure 6-800
Illus. Page 6-23

CLUTCH

ITEM	PART NUMBER	QTY	BODY	MODEL	DESCRIPTION
CONTROLS, CLUTCH 24 CONQUEST, 27 RAM, POWER RAM, 27 RAIDER					
1	MD70 3270	1			BEARING, Clutch Release, w/o Intercooler
	MD71 9469	1		P-24	w/TURBO w/Intercooler
	MD71 9469	1		27 RAIDER	
2	MD70 1242	2			CLIP, Return
3	MD70 1285	2		27	PACKING
4	MD70 3265	1		27	SPRING, Return (RT), W Eng.
	MD70 1249	1		27	(RT), A Eng.
5	MD70 3288	1		27	LEVER ASSEMBLY, Clutch Control, W Eng.
	MD70 3284	1		27	A Eng.
6	MD70 3264	1		27	SPRING, Return (LT), W Eng.
	MD70 1250	1		27	(LT), A Eng.
7	MD70 1722	2		27	PIN, Spring
8	MD70 3275	1			FORK, Release
9	MD71 5650	1			FULCRUM, Clutch Release Lever
10	MD70 3280	1			BOOT, Release Lever
11	MD71 2383	1		27 RAIDER	CYLINDER ASSEMBLY, Clutch Release
	MD71 0981	1		24	F Eng., w/TURBO w/o Intercooler
	MD71 0317	1		P-24	F Eng., w/TURBO w/Intercooler
12	MF24 1284	2			BOLT, w/Washer (10x30)
13	MD70 1140	1			CAP, Bleeder Screw
14	MD70 4268	1			PLUG, Bleeder
15	MD60 3470	1			SPRING, Valve Plate
16	MD60 3469	1		27 RAIDER	PLATE, Valve
	MD60 3468	1		24	F Eng.
17	MD60 3467	1			SPRING, Conical
18	MD99 7786	1			PISTON, Pkg., w/Cup and Boot, Cylinder Repair
19	MD60 3465	1		27 RAIDER	ROD, Release Cyl. Push
	MD60 3466	1		24	F Eng., w/TURBO w/o Intercooler
	MD60 3465	1		P-24	F Eng., w/TURBO w/Intercooler
20	MD60 3464	1			BOOT, Release Cylinder

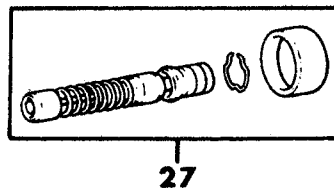
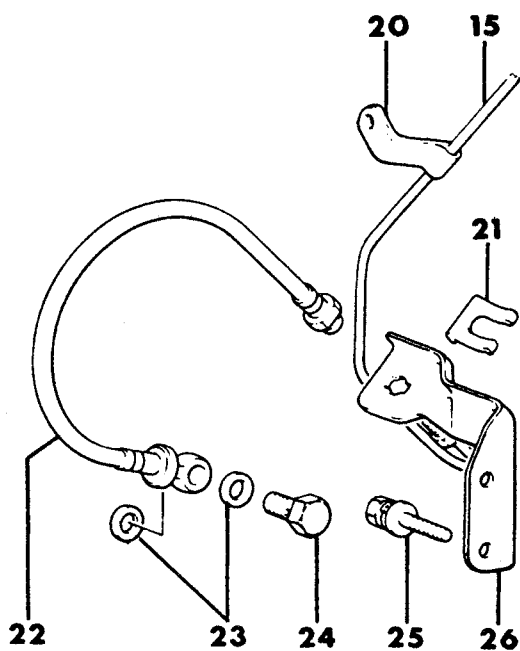
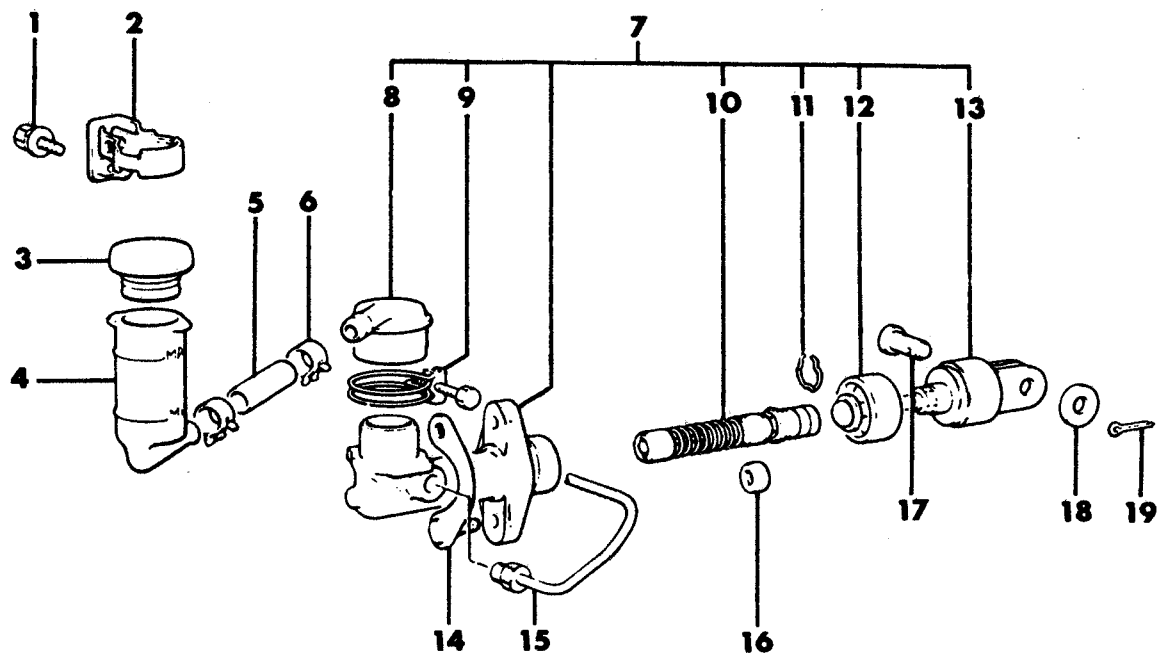
ENGINE:	Q=1500 cc	A=2000 cc	TRANS:	A=Automatic	4=4-Speed Manual
Blank=All	K=1600 cc (w/o Balance Shaft)	F=2600 cc (Car)	Blank=All	M=All Manual	5=5-Speed Manual
	W=2600 cc (Truck)				8=4 x 2 Manual

SERIES:	H=High	MODELS:	24 FWD=2-Dr Hatchback (Colt)	27 RWD-4WD=Pickup (Ram 50, Power Ram 50)
L=Low	P=Premium		24 RWD=2-Dr Hatchback (Conquest)	27 4WD=Sport Utility (Raider)
M=Medium	S=Special		41 FWD=4-Dr Sedan (Colt & Eagle Vista)	45 FWD=4-Dr Station Wagon (Colt)
				45 FWD-4WD=Station Wagon (Vista)

AR=Use as Required # =New Part Number - =Non Illustrated Part Printed in U.S.A. FEBRUARY, 1989

CYLINDER, CLUTCH MASTER
24 RWD - CONQUEST

7706 1000



CLUTCH

ITEM	PART NUMBER	QTY	BODY	MODEL	DESCRIPTION
CYLINDER, CLUTCH MASTER 24 RWD - CONQUEST					
1	MF24 3623	2			BOLT, w/Washer, (6x14)
2	MB01 2094	1			BRACKET
3	MA16 1577	1			CAP, Reservoir
4	MB01 2095	1			RESERVOIR, Oil
5	MB08 2024	1			HOSE, Reservoir
6	MT18 7422	2			CLIP, Hose, (13.2)
7	MB01 2099	1			CYLINDER ASSEMBLY, Clutch Master
8	MB01 2090	1			NIPPLE
9	MB01 2155	1			BAND, Reservoir
10					PISTON, Master Cylinder (Serv. in Pkg.)
11					RING, Piston Stopper (Serv. in Pkg.)
12					BOOT, (Serv. in Pkg.)
13	MB01 2124	1			ROD ASSEMBLY, Push
14	MB01 2123	1			PLATE
15	MB01 2101	1			TUBE, Clutch
16	MS44 0503	2			NUT, w/Washer, (8)
17	MF47 3490	1			PIN, Clevis, (10x20)
18	MF45 0006	1			WASHER, Plain, (10)
19	MF47 2042	1			PIN, Split, (2x30)
20	MB01 2106	1			CLIP
21	MA43 1825	1			CLIP, Hose
22	MB01 2251	1			HOSE, Clutch
23	MA11 1832	2			GASKET
24	MB01 2250	1			EYE BOLT
25	MS24 0125	2			BOLT, w/Washer, (8x20)
26	MB01 2104	1			BRACKET
27	MB01 2161	1			CYLINDER PACKAGE, Clutch Master

ENGINE:	Q=1500 cc	A=2000 cc	TRANS:	A=Automatic	4=4-Speed Manual
Blank=All	K=1600 cc (w/o Balance Shaft)	F=2600 cc (Car)	Blank=All	M=All Manual	5=5-Speed Manual
	W=2600 cc (Truck)				8=4 x 2 Manual
SERIES:	H=High	MODELS:	24 FWD=2-Dr Hatchback (Colt)	27 RWD-4WD=Pickup (Ram 50, Power Ram 50)	
L=Low	P=Premium		24 RWD=2-Dr Hatchback (Conquest)	27 4WD=Sport Utility (Raider)	45 FWD=4-Dr Station Wagon (Colt)
M=Medium	S=Special		41 FWD=4-Dr Sedan (Colt & Eagle Vista)		45 FWD-4WD=Station Wagon (Vista)
AR=Use as Required	# =New Part Number	- =Non Illustrated Part		Printed in U.S.A.	FEBRUARY, 1989