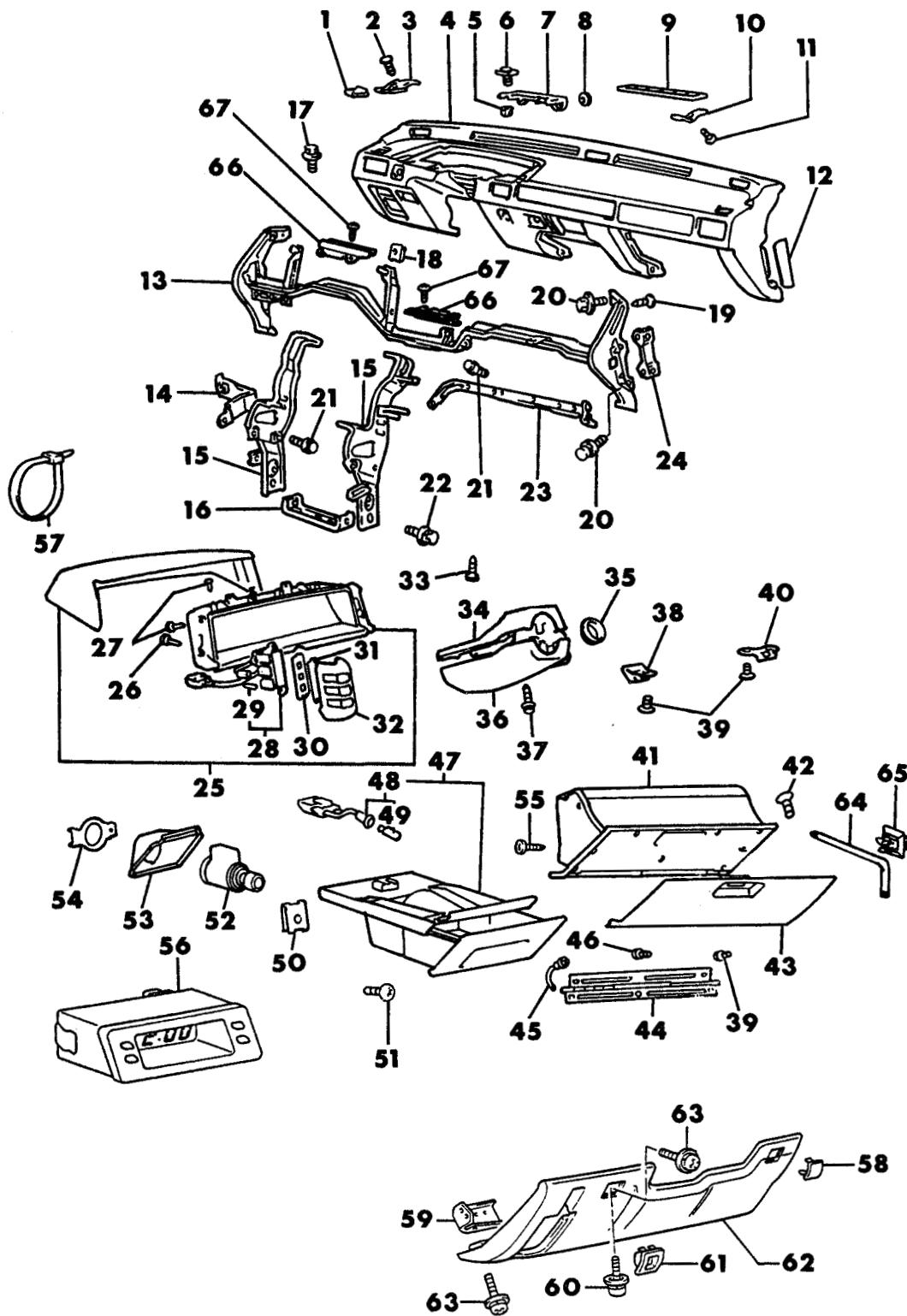


7782 700 B

INSTRUMENT PANEL  
24 RWD - CONQUEST



# 1987-88 IMPORT PARTS CATALOG

ELECTRICAL - INSTRUMENT  
PANEL AND CONSOLES

Figure 8A-700  
Illus. Page 8A-19

ITEM	PART NUMBER	QTY	BODY	MODEL	DESCRIPTION
<b>INSTRUMENT PANEL</b>					
<b>24 RWD - CONQUEST</b>					
1	MA14 7259	2			NUT
2	MF45 3016	2			SCREW
3					BRACKET, Meter Hood
	MB18 7113	1			Left
	MB18 7114	1			Right
4					PAD, Instrument Panel
	MB52 2479	1			Red, w/o ATC
	MB52 2482	1			Red, w/ATC
	MB52 2478	1			Black, w/o ATC
	MB52 2481	1			Black, w/ATC
5	MS44 0501	2			NUT
6	MB18 4808	2			BOLT
7	MB18 4807	1			BRACKET, Center
8	MB13 5926	2			GROMMET
9					GARNISH, Defroster
	MB44 4573	1			Red, Right
	MB18 4828	1			Black, Left
	MB18 4826	1			Black, Right
	MB44 4574	1			Red, Left
10	MB18 4829	4			SPRING, Defroster Garnish
11	MF45 3016	4			SCREW
12					COVER, Side
	MB20 4258	1			Red, Left
	MB44 4571	1			Black, Left
	MB20 4260	1			Red, Right
	MB44 4572	1			Black, Right
13	MB52 1185	1			FRAME
14	MB18 4804	1			BRACKET, Lower Center
15					REINFORCEMENT, Center
	MB52 1180	1			Left
	MB52 1181	1			Right
16	MB52 1182	1			BRACKET, Back Bone
17	MS24 0121	7			BOLT
18	MB13 5995	1			NUT
19	MF45 3031	4			SCREW
20	MS24 0916	2			BOLT
21	MS35 0165	8			SCREW
22	MS24 0141	10			BOLT
23					FRAME, Glove Box, Lower
	MB52 1187	1			Right
	MB52 1186	1			Left
24					BRACKET, Instrument Panel Side
	MB18 4868	2			1987
	MB52 1183	2			1988
	MS24 0121	4			BOLT
25					HOOD, Meter
	MB42 4862	1			Black
	MB42 4863	1			Red
26	MS20 0301	4			SCREW
27	MF45 3316	10			SCREW
28					SWITCH, Cluster

<b>ENGINE:</b>	Q=1500 cc	A=2000 cc	<b>TRANS:</b>	A=Automatic	4=4-Speed Manual
Blank=All	K=1600 cc (w/o Balance Shaft)	F=2600 cc (Car)	Blank=All	M=All Manual	5=5-Speed Manual
	W=2600 cc (Truck)				8=4 x 2 Manual
<b>SERIES:</b>	H=High	<b>MODELS:</b> 24 FWD=2-Dr Hatchback (Colt)	27 RWD-4WD=Pickup (Ram 50, Power Ram 50)		
L=Low	P=Premium	24 RWD=2-Dr Hatchback (Conquest)	27 4WD=Sport Utility (Raider)	45 FWD=4-Dr Station Wagon (Colt)	
M=Medium	S=Special	41 FWD=4-Dr Sedan (Colt & Eagle Vista)		45 FWD-4WD=Station Wagon (Vista)	
AR=Use as Required	# =New Part Number	--=Non Illustrated Part		Printed in U.S.A.	FEBRUARY, 1989

1987-88 IMPORT PARTS CATALOG

Figure 8A-700  
Illus. Page 8A-20

ELECTRICAL - INSTRUMENT  
PANEL AND CONSOLES

ITEM	PART NUMBER	QTY	BODY	MODEL	DESCRIPTION
INSTRUMENT PANEL 24 RWD - CONQUEST					
	MB50 9337	1			Left
	MB50 9342	1			Right
29	MS82 0083	2			BULB, Lamp
30	MB25 9110	1			SPACER, Left
	MB25 9111	1			Right
31					PANEL, Cluster Switch Display
	MB42 4940	1			Left
	MB33 7946	1			Right
32					METER, Hood Side
	MB18 4810	1			Left
	MB18 4811	1			Right
33	MF45 3093	4			SCREW
34					COVER, Column Upper
	MB20 7706	1			Black
	MB28 0136	1			Red
35	MB17 0679	1			GROMMET
36					COVER, Column, Lower
	MB52 2484	1			Black
	MB52 2485	1			Red
37	MS35 0046	5			SCREW
38					CHECKER, Glove Box
	MB18 4856	2			1987
	MB56 1697	2			1988
39	MS35 0165	7			SCREW
40	MB18 4855	1			STRIKER, Glove Box
41	MB52 1700	1			GLOVE BOX
42	MF20 1044	9			SCREW
43					LID, Glove Box
	MB70 8354	1			Red
	MB70 8353	1			Black
44	MB18 4852	1			HINGE, Glove Box Lid
45	MB50 9377				SWITCH, Lamp
46	MS35 0125	3			SCREW
47					RECEIVER, Ash
	MB20 4266	1			Red
	MB44 4577	1			Black
48	MB25 9139	1			BULB and SOCKET
49	MS82 0083	1			BULB, Lamp
50	MA14 7259	1			NUT, Spring
51	MF45 3031	3			SCREW
52	MB25 9021	1			CIGAR LIGHTER
53					PROTECTOR, C/Lighter
	MB18 4865	1			Black
	MB44 1554	1			Red
54	MB17 0107	1			PLATE, C/Lighter
55	MF45 6204	2			SCREW
56					CLOCK, Digital
	MB38 6419	1			Black
	MB38 6420	1			Red
	MB52 1258	1			BULB, Clock
57		1			BAND, Cable (DNS)

<b>ENGINE:</b>	Q=1500 cc	A=2000 cc	<b>TRANS:</b>	A=Automatic	4=4-Speed Manual
Blank=All	K=1600 cc (w/o Balance Shaft)	F=2600 cc (Car)	Blank=All	M=All Manual	5=5-Speed Manual
	W=2600 cc (Truck)				8=4 x 2 Manual

<b>SERIES:</b>	H=High	<b>MODELS:</b>	24 FWD=2-Dr Hatchback (Colt)	27 RWD-4WD=Pickup (Ram 50, Power Ram 50)
L=Low	P=Premium		24 RWD=2-Dr Hatchback (Conquest)	27 4WD=Sport Utility (Raider)
M=Medium	S=Special		41 FWD=4-Dr Sedan (Colt & Eagle Vista)	45 FWD=4-Dr Station Wagon (Colt)
				45 FWD-4WD=Station Wagon (Vista)

AR=Use as Required      # =New Part Number      - =Non Illustrated Part      Printed in U.S.A.      FEBRUARY, 1989

1987-88 IMPORT PARTS CATALOG

ELECTRICAL - INSTRUMENT  
PANEL AND CONSOLES

Figure 8A-700  
Illus. Page 8A-21

ITEM	PART NUMBER	QTY	BODY	MODEL	DESCRIPTION
------	-------------	-----	------	-------	-------------

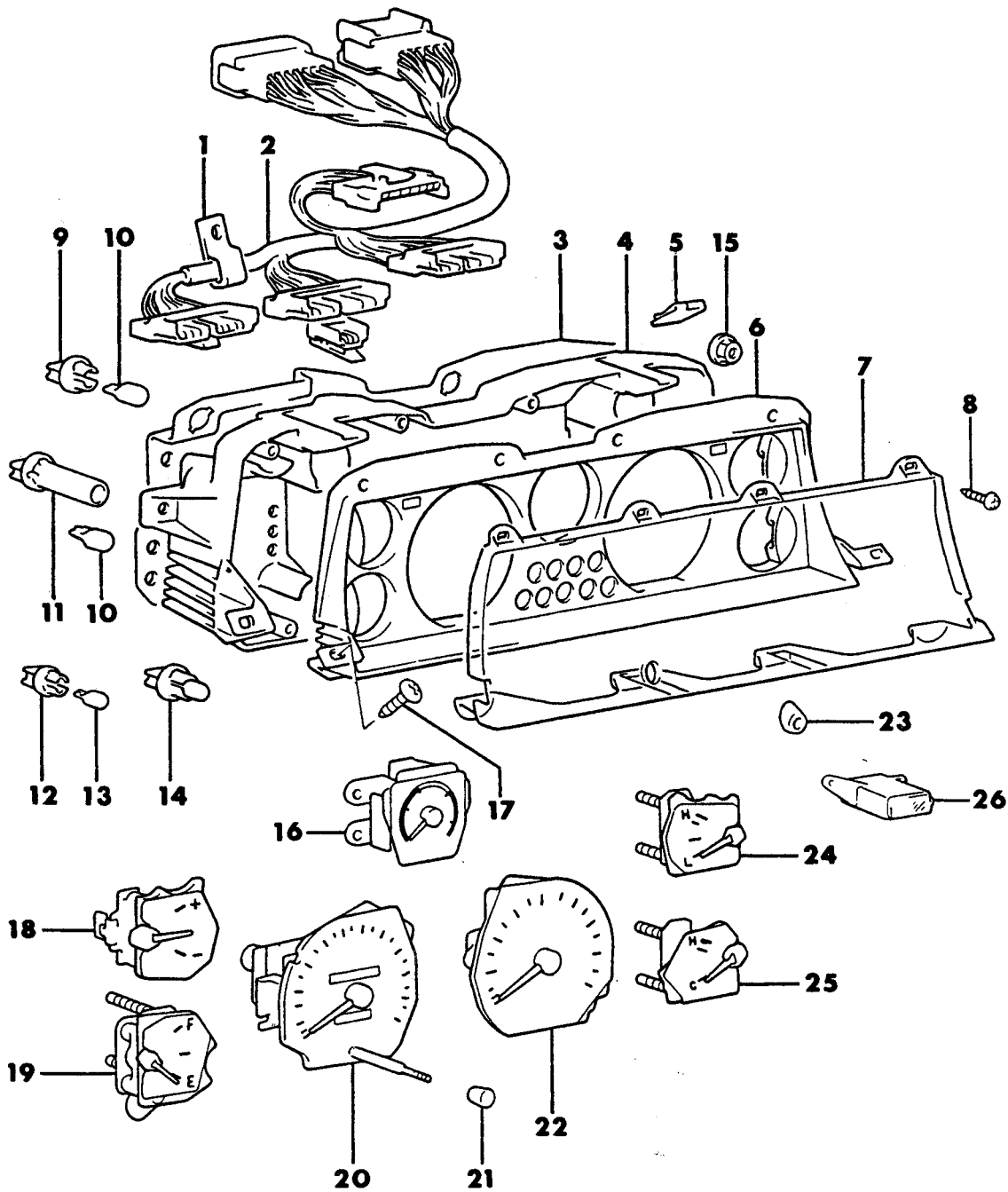
INSTRUMENT PANEL  
24 RWD - CONQUEST

58					PLUG
	MB70 8362	1			Black
	MB70 8363	1			Red
59	MB56 1503	1			BRACKET
60	MF35 0769	2			SCREW
61					GARNISH, Switch
	MB70 8359	1			Black
	MB70 8360	1			Red
62					PROTECTOR, Knee
	MB70 8350	1			Black
	MB70 8351	1			Red
63	MS35 0165	1			SCREW
64	MB51 9996	1			WRENCH
65	MU48 1048	2			CLIP, Wrench
66	MB56 1696	2			PROTECTOR, Harness
67	MF45 3029	4			SCREW

<b>ENGINE:</b>	Q=1500 cc	A=2000 cc	<b>TRANS:</b>	A=Automatic	4=4-Speed Manual
Blank=All	K=1600 cc (w/o Balance Shaft)	F=2600 cc (Car)	Blank=All	M=All Manual	5=5-Speed Manual
	W=2600 cc (Truck)				8=4 x 2 Manual
<b>SERIES:</b>	H=High	<b>MODELS:</b> 24 FWD=2-Dr Hatchback (Colt)	27 RWD-4WD=Pickup (Ram 50, Power Ram 50)		
L=Low	P=Premium	24 RWD=2-Dr Hatchback (Conquest)	27 4WD=Sport Utility (Raider)	45 FWD=4-Dr Station Wagon (Colt)	
M=Medium	S=Special	41 FWD=4-Dr Sedan (Colt & Eagle Vista)		45 FWD-4WD=Station Wagon (Vista)	
AR=Use as Required	# = New Part Number	-- = Non Illustrated Part		Printed in U.S.A.	FEBRUARY, 1989

7782 800 A

CLUSTER, INSTRUMENT PANEL MECHANICAL  
 24 RWD - CONQUEST



1987-88 IMPORT PARTS CATALOG

ELECTRICAL - INSTRUMENT  
PANEL AND CONSOLES

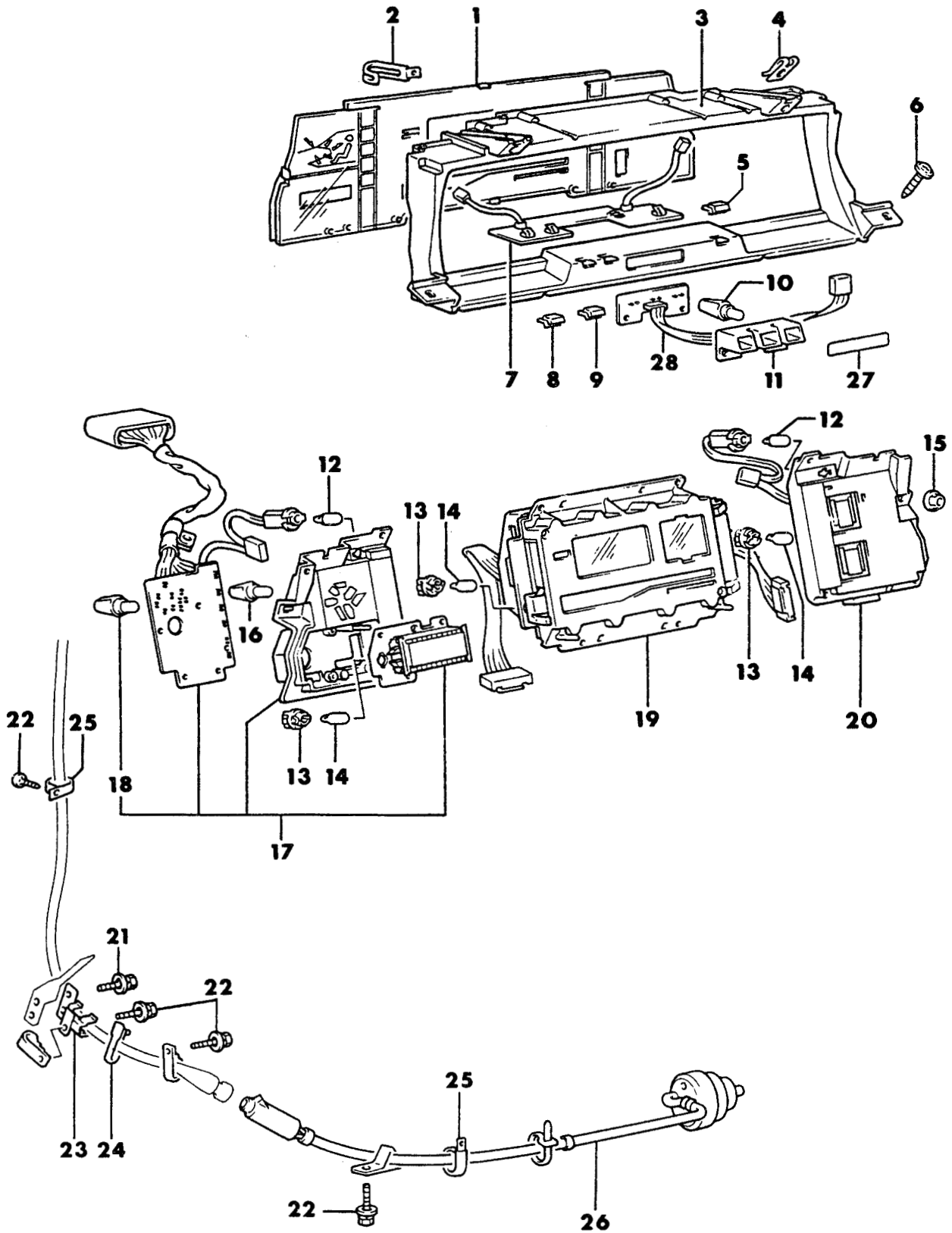
Figure 8A-800  
Illus. Page 8A-23

ITEM	PART NUMBER	QTY	BODY	MODEL	DESCRIPTION
CLUSTER, INSTRUMENT PANEL MECHANICAL 24 RWD - CONQUEST					
1	MB18 6367	2			CLAMP
2	MB52 1773	1			HARNES, Meter
3	MB52 1768	1			BOARD, Printed Circuit
4	MB52 1776	1			CASE METER
5	MA14 7258	2			NUT, Spring
6	MB52 1778	1			PANEL, Meter
7	MB25 9200	1			GLASS, Meter
8	MF45 6458	8			SCREW
9	MB04 5009	6			SOCKET, Bulb
10	MF82 0572	8			BULB, Lamp
11	MB14 5763	2			SOCKET, Bulb
12	MB06 6067	7			SOCKET, Bulb
13	MS82 0083	7			BULB, Lamp
14	MB25 9483	1			BULB
15	MS44 0521	2			NUT
16	MB35 7547	1			BOOST, Meter
17	MF45 3034	2			SCREW
18	MB52 1766	1			GAUGE, Ammeter
19	MB25 9162	1			GAUGE, Fuel
20	MB32 7558	1			SPEEDOMETER
21	MB10 8818	1			KNOB, Trip Counter
22	MB52 1927	1			TACHOMETER
23	MB17 0205	1			GROMMET
24	MB25 9170	1			GAUGE, Oil Pressure
25	MB25 9166	1			GAUGE, Water Temp.
26	MB52 2084	1			COVER, Combination Meter Indicator

<b>ENGINE:</b>	Q=1500 cc	A=2000 cc	<b>TRANS:</b>	A=Automatic	4=4-Speed Manual
Blank=All	K=1600 cc (w/o Balance Shaft)	F=2600 cc (Car)	Blank=All	M=All Manual	5=5-Speed Manual
	W=2600 cc (Truck)				8=4 x 2 Manual
<b>SERIES:</b>	H=High	<b>MODELS:</b>	24 FWD=2-Dr Hatchback (Colt)	27 RWD-4WD=Pickup (Ram 50, Power Ram 50)	
L=Low	P=Premium		24 RWD=2-Dr Hatchback (Conquest)	27 4WD=Sport Utility (Raider)	45 FWD=4-Dr Station Wagon (Colt)
M=Medium	S=Special		41 FWD=4-Dr Sedan (Colt & Eagle Vista)		45 FWD-4WD=Station Wagon (Vista)
AR=Use as Required	# =New Part Number	- =Non Illustrated Part		Printed in U.S.A.	FEBRUARY, 1989

CLUSTER, INSTRUMENT PANEL ELECTRONIC  
24 RWD - CONQUEST

7782 900 A



1987-88 IMPORT PARTS CATALOG

ELECTRICAL - INSTRUMENT  
PANEL AND CONSOLES

Figure 8A-900  
Illus. Page 8A-25

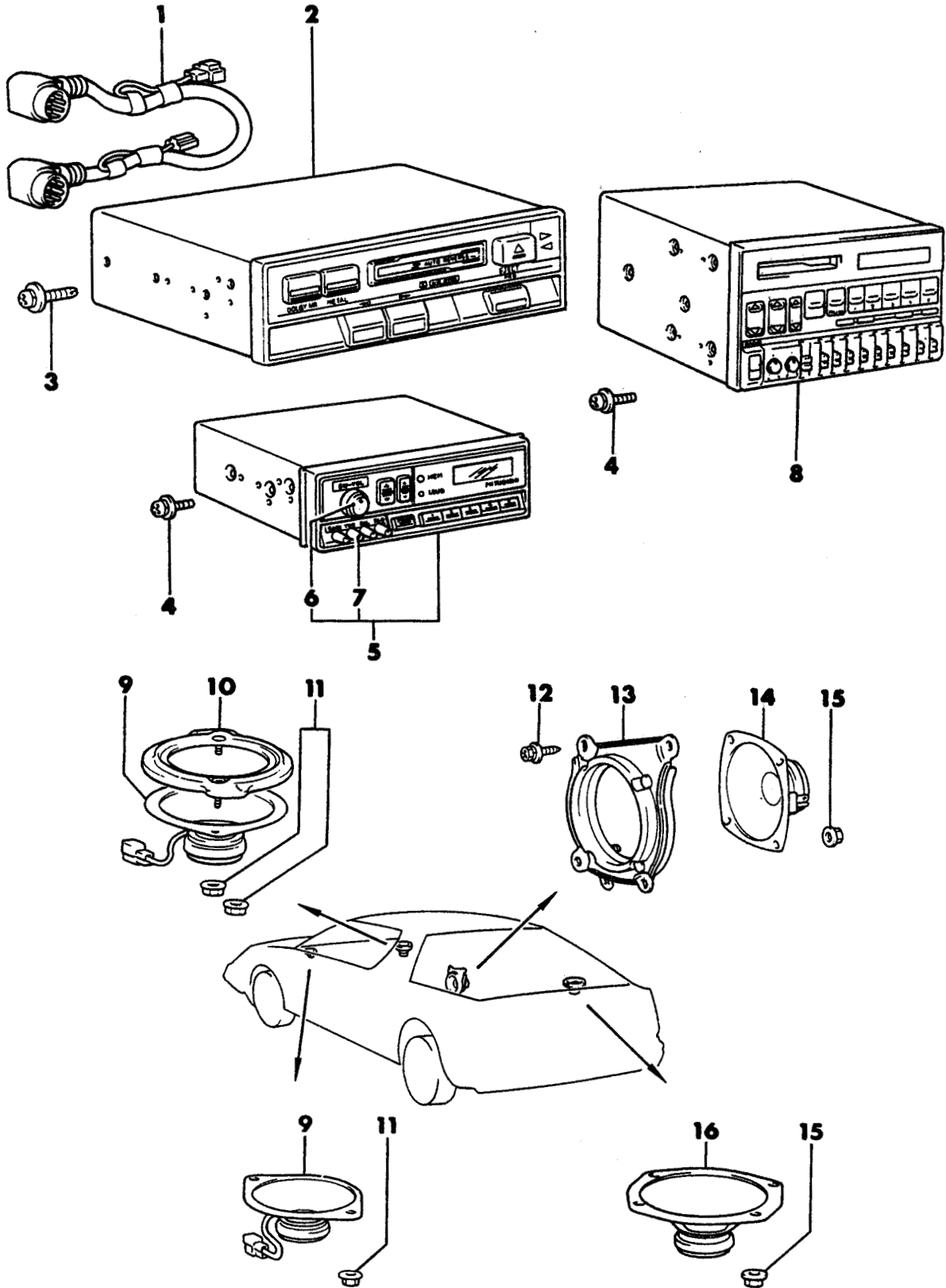
ITEM	PART NUMBER	QTY	BODY	MODEL	DESCRIPTION
CLUSTER, INSTRUMENT PANEL ELECTRONIC 24 RWD - CONQUEST					
1	#MB42 4204	1			PANEL
2	MS47 0067	1			CLIP
3	MB38 6810	1			FRAME
4	MA14 7258	2			NUT, Spring
5	MB38 6817	1			KNOB, Switch
6	MF45 3034	2			SCREW
7	MB38 6813	1			SWITCH BOARD
8	MB38 6814	1			KNOB, Switch
9	MB38 6815	1			KNOB, Switch
10	MB38 6816	1			KNOB, Switch
11	MB38 6818	1			HOUSING
12	MS82 0083	2			BULB, Lamp
13	MB06 6067	4			SOCKET, Bulb
14	MS82 0083	4			BULB, Lamp
15	MS44 0521	2			NUT
16	MB28 0859	14			BULB, Lamp
17	MB38 6905	1			DISPLAY UNIT, Ac Odo
18	MB28 0860	5			LAMP, Green
	MB28 0861	3			Yellow
	MB28 0862	1			Blue
19	MB38 6834	1			GAUGE, Speedometer and Tachometer
20	MB52 2405	1			GAUGE, Oil and Volt
21	MS24 0125	2			BOLT
22	MS24 0121	1			BOLT
23	MB28 5919	1			CLAMP
24	MS47 0402	1			BAND, Cable
25	MS47 0067	1			CLIP
26	MB38 2470	1			PULSE GENERATOR, w/Auto Trans.
	MB38 5188	1			w/Five Speed Trans.
27	MB42 3557	1			PLATE, Warning
28	MB38 6822	1			BOARD, Warning

<b>ENGINE:</b>	Q=1500 cc	A=2000 cc	<b>TRANS:</b>	A=Automatic	4=4-Speed Manual
Blank=All	K=1600 cc (w/o Balance Shaft)	F=2600 cc (Car)	Blank=All	M=All Manual	5=5-Speed Manual
	W=2600 cc (Truck)				8=4 x 2 Manual
<b>SERIES:</b>	H=High	<b>MODELS:</b> 24 FWD=2-Dr Hatchback (Colt)	27 RWD-4WD=Pickup (Ram 50, Power Ram 50)		
L=Low	P=Premium	24 RWD=2-Dr Hatchback (Conquest)	27 4WD=Sport Utility (Raider)	45 FWD=4-Dr Station Wagon (Colt)	
M=Medium	S=Special	41 FWD=4-Dr Sedan (Colt & Eagle Vista)		45 FWD-4WD=Station Wagon (Vista)	
AR=Use as Required	#=New Part Number	-=Non Illustrated Part	Printed in U.S.A.	FEBRUARY, 1989	



RADIO, TAPE DECK AND SPEAKERS  
24 RWD - CONQUEST

7782 1000



1987-88 IMPORT PARTS CATALOG

ELECTRICAL - INSTRUMENT  
PANEL AND CONSOLES

Figure 8A-1000  
Illus. Page 8A-27

ITEM	PART NUMBER	QTY	BODY	MODEL	DESCRIPTION
RADIO, TAPE DECK AND SPEAKERS 24 RWD - CONQUEST					
1	MB30 6568	1			CABLE, Din
2	MB48 8551	1			TAPE DECK
3	MS35 0133	4			SCREW
4	MS35 0133	8			SCREW
5	MB48 8544	1			RADIO, Am/Fm/Elt w/Four Speaker System
6	MB48 8979	1			KNOB, Volume
7	MB53 0496	4			KNOB, Bass/Treble/Balance/Fader
8	MB48 8875	1			RADIO, 4T Logic Am/Fm/Mpx/Elt
9	MB50 9510	2			SPEAKER, Instrument Panel
10	MB42 4870	1			BRACKET, Speaker
11	MB13 3763	6			NUT
12	MS24 0041	8			BOLT
13					BRACKET, Speaker
	MB50 9641	1			Left
	MB50 9642	1			Right
14	MB50 9505	2			SPEAKER, Door
15	MS44 0122	16			NUT
16	MB48 8906	2			SPEAKER, Rear Shelf

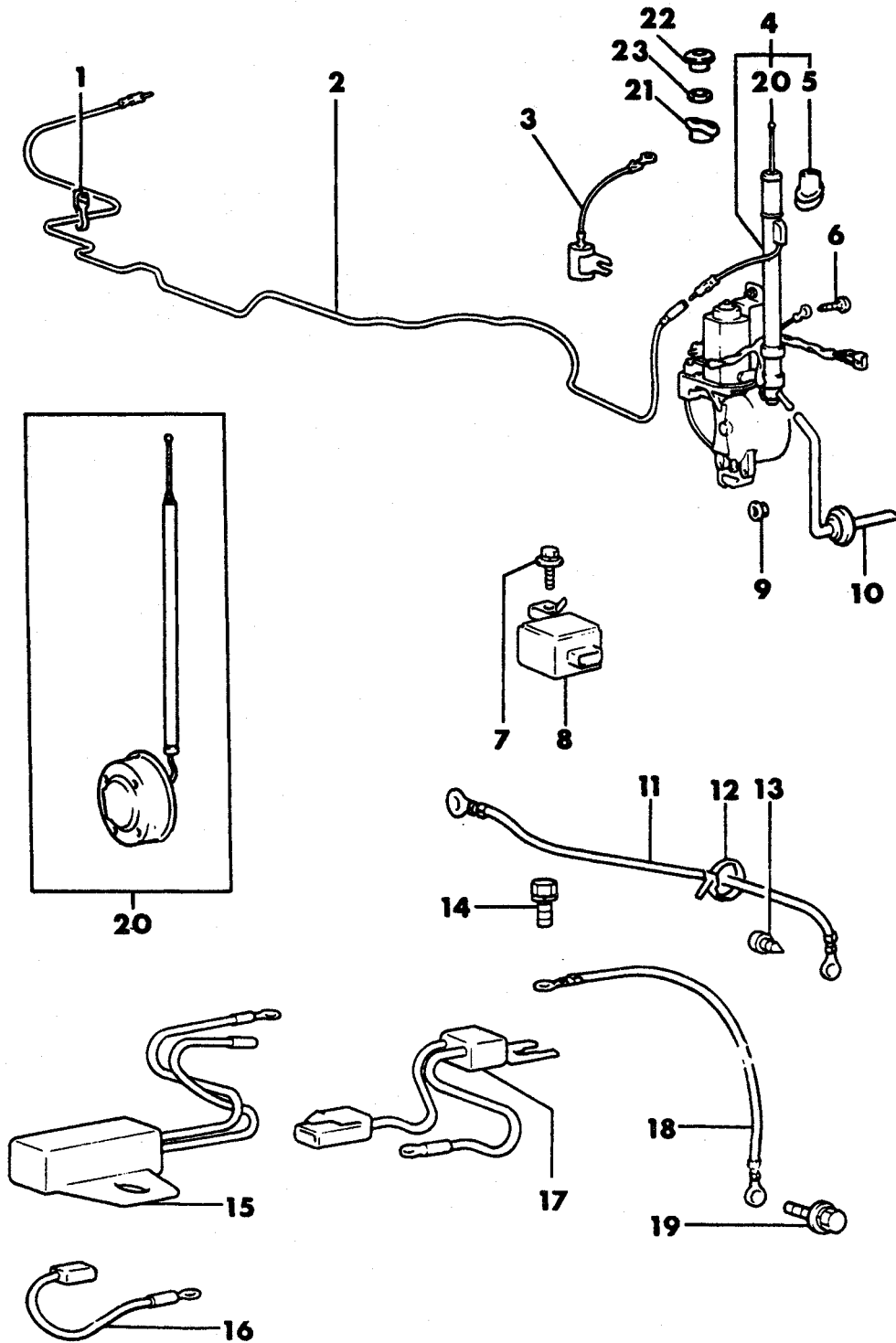
<b>ENGINE:</b>	Q=1500 cc	A=2000 cc	<b>TRANS:</b>	A=Automatic	4=4-Speed Manual
Blank=All	K=1600 cc (w/o Balance Shaft)	F=2600 cc (Car)	Blank=All	M=All Manual	5=5-Speed Manual
	W=2600 cc (Truck)				8=4 x 2 Manual

<b>SERIES:</b>	H=High	<b>MODELS:</b>	24 FWD=2-Dr Hatchback (Colt)	27 RWD-4WD=Pickup (Ram 50, Power Ram 50)
L=Low	P=Premium		24 RWD=2-Dr Hatchback (Conquest)	27 4WD=Sport Utility (Raider)
M=Medium	S=Special		41 FWD=4-Dr Sedan (Colt & Eagle Vista)	45 FWD=4-Dr Station Wagon (Colt)
				45 FWD-4WD=Station Wagon (Vista)

AR=Use as Required      # =New Part Number      - =Non Illustrated Part      Printed in U.S.A.      FEBRUARY, 1989

7782 1100

ANTENNA  
24 RWD - CONQUEST



1987-88 IMPORT PARTS CATALOG

ELECTRICAL - INSTRUMENT  
PANEL AND CONSOLES

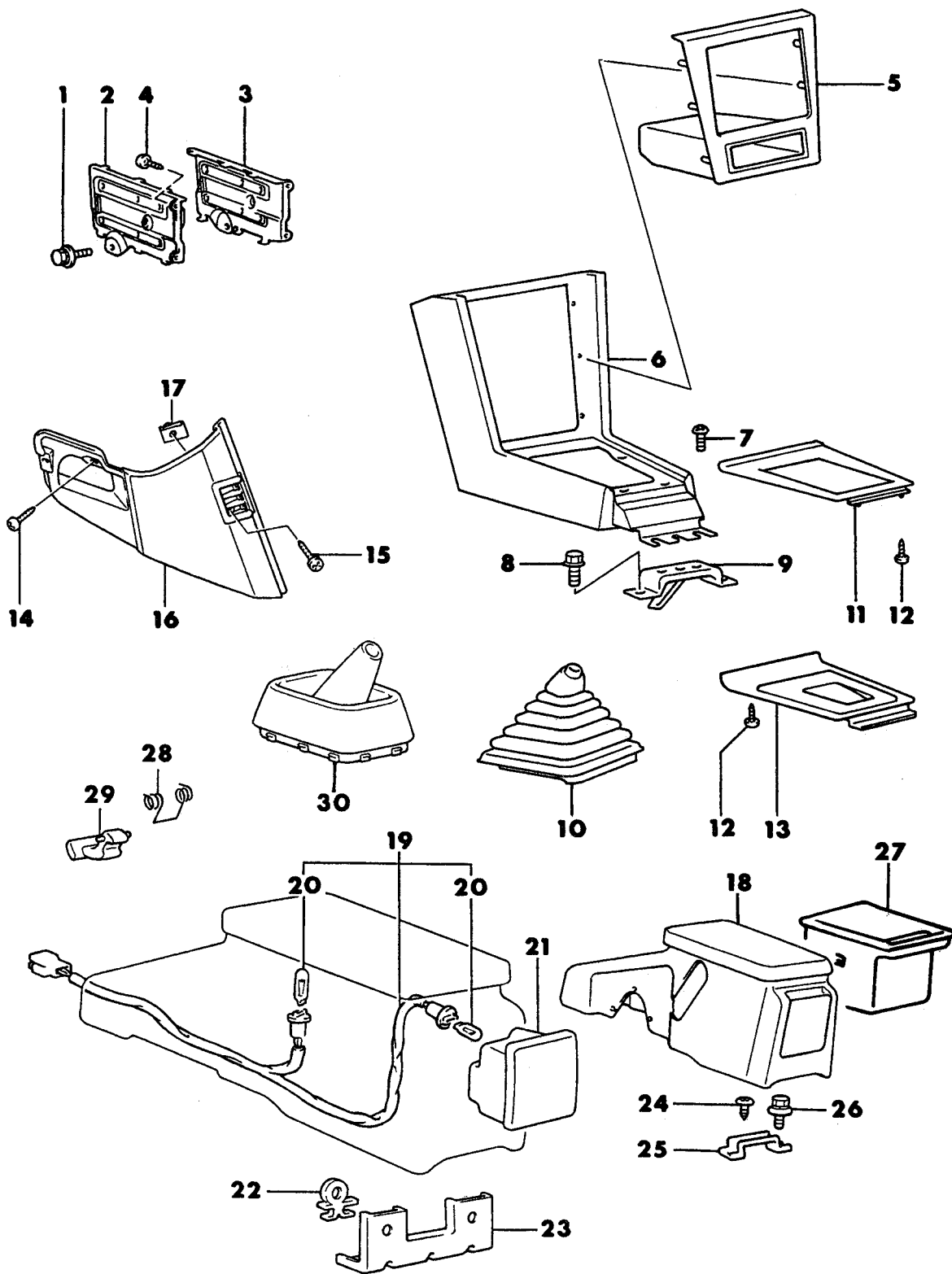
Figure 8A-1100  
Illus. Page 8A-29

ITEM	PART NUMBER	QTY	BODY	MODEL	DESCRIPTION
<b>ANTENNA</b>					
<b>24 RWD - CONQUEST</b>					
1	MS47 0404	1			BAND, Cable
2	MB52 9955	1			FEEDER, Antenna
3	MB50 9361	1			CONDENSER
4	MB51 0795	1			POWER ANTENNA, Rear
5	MB95 8828	1			GROMMET, Antenna
6	MF45 3030	1			SCREW
7	MS35 0125	1			SCREW
8	MB35 8975	1			RELAY, Power Antenna
9	MS44 0502	2			NUT
10	MB51 0796	1			HOSE, Drain
11	MB19 6270	1			CABLE, Ground
12	MS47 0087	1			BAND, Cable
13	MF45 3031	1			SCREW
14	MF24 3623	1			BOLT
15	MB50 9548	1			FILTER, Noise
16	MB24 9346	1			CABLE
17	MB24 9343	1			CONDENSER
18	MB18 3765	1			CABLE, Ground
19	MS35 0165	1			SCREW
20	MB54 1310	1			ROD and DRUM, Antenna
21	MB48 7718	1			GROMMET, Antenna
22	MB53 0430	1			CAP, Antenna
23	MB53 0431	1			WASHER, Antenna

<b>ENGINE:</b>	Q=1500 cc	A=2000 cc	<b>TRANS:</b>	A=Automatic	4=4-Speed Manual
Blank=All	K=1600 cc (w/o Balance Shaft)	F=2600 cc (Car)	Blank=All	M=All Manual	5=5-Speed Manual
	W=2600 cc (Truck)				8=4 x 2 Manual
<b>SERIES:</b>	H=High	<b>MODELS:</b>	24 FWD=2-Dr Hatchback (Colt)	27 RWD-4WD=Pickup (Ram 50, Power Ram 50)	
L=Low	P=Premium		24 RWD=2-Dr Hatchback (Conquest)	27 4WD=Sport Utility (Raider)	45 FWD=4-Dr Station Wagon (Colt)
M=Medium	S=Special		41 FWD=4-Dr Sedan (Colt & Eagle Vista)		45 FWD-4WD=Station Wagon (Vista)
AR=Use as Required	#=New Part Number	--=Non Illustrated Part		Printed in U.S.A.	FEBRUARY, 1989

7782 1200 B

CONSOLE  
24 RWD - CONQUEST



1987-88 IMPORT PARTS CATALOG

ELECTRICAL - INSTRUMENT  
PANEL AND CONSOLES

Figure 8A-1200  
Illus. Page 8A-31

ITEM	PART NUMBER	QTY	BODY	MODEL	DESCRIPTION
CONSOLE 24 RWD - CONQUEST					
1	MF45 3031	4			SCREW
2	MB52 1657	1			BRACKET, Radio, Left
3	MB52 1658	1			BRACKET, Radio, Right
4	MF45 3031	6			SCREW
5	MB52 1628	1			PANEL, Equalizer
6					CONSOLE
	MB20 4282	1			Red
	MB44 4580	1			Black
7	MS45 0157	1			SCREW
8	MS24 0121	2			BOLT
9	MB17 0258	1			BRACKET, Console Mtg.
10	MB18 6174	1			BOOT, Manual Gear Shift
11	MB32 7318	1			BEZEL, w/Manual Trans.
12	MF45 3016	6			SCREW
13	MB18 7226	1			BEZEL, w/Auto Trans.
14	MF45 3031	2			SCREW
15	MF45 3687	2			SCREW
16					FILLER, Console Side Trim
	MB42 4509	1			Red, Left
	MB42 4508	1			Black, Left
	MB42 4511	1			Red, Right
	MB42 4510	1			Black, Right
17	MA14 7259	2			NUT
18					BOX, Storage
	MB70 7695	1			Red
	MB70 7694	1			Black
19					HARNESSES, Storage Box
	MB42 4770	1			1987
	MB56 1718	1			1988
20	MS82 0083	2			BULB
21					ASH RECEIVER, Storage Box
	MB20 4249	1			Red
	MB20 5628	1			Black
22	MB19 6151	1			RETAINER, Harness
23	MB17 0642	1			BRACKET, Storage Box
24	MS45 0157	4			SCREW
25	MB17 0259	1			BRACKET, Storage Box
26	MS24 0121	2			BOLT
27	MB52 2234	1			BOX, Inner Storage
28	MB18 6142	1			SPRING, Lid
29	MB18 6141	1			LEVER, Lid
30					BOOT, Manual Gear Shift
	MB56 2278	1			Black
	MB56 2279	1			Red

<b>ENGINE:</b>	Q=1500 cc	A=2000 cc	<b>TRANS:</b>	A=Automatic	4=4-Speed Manual
Blank=All	K=1600 cc (w/o Balance Shaft)	F=2600 cc (Car)	Blank=All	M=All Manual	5=5-Speed Manual
	W=2600 cc (Truck)				8=4 x 2 Manual

<b>SERIES:</b>	H=High	<b>MODELS:</b>	24 FWD=2-Dr Hatchback (Colt)	27 RWD-4WD=Pickup (Ram 50, Power Ram 50)
L=Low	P=Premium		24 RWD=2-Dr Hatchback (Conquest)	27 4WD=Sport Utility (Raider)
M=Medium	S=Special		41 FWD=4-Dr Sedan (Colt & Eagle Vista)	45 FWD=4-Dr Station Wagon (Colt)
				45 FWD-4WD=Station Wagon (Vista)

AR=Use as Required      # =New Part Number      -- =Non Illustrated Part      Printed in U.S.A.      FEBRUARY, 1989