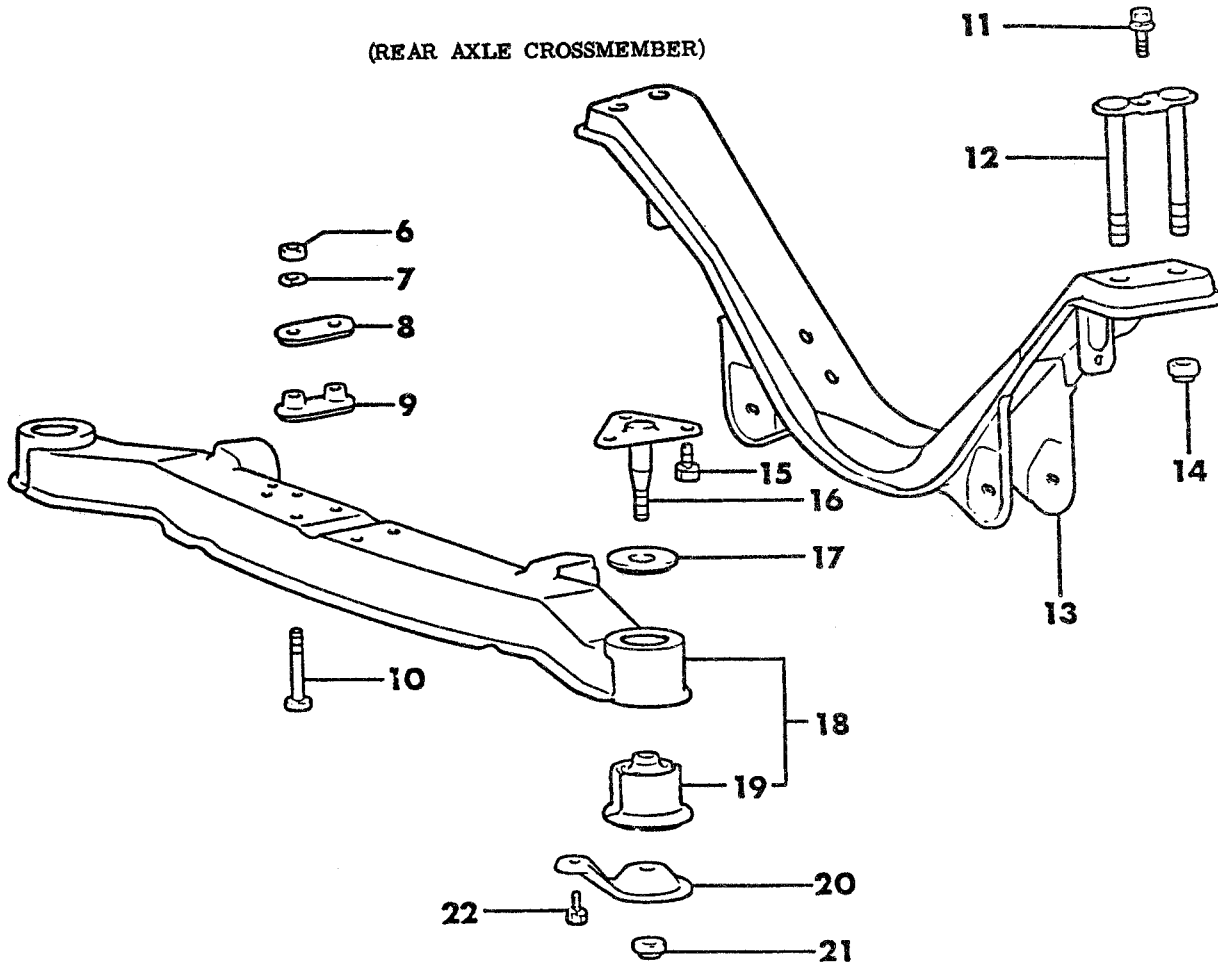
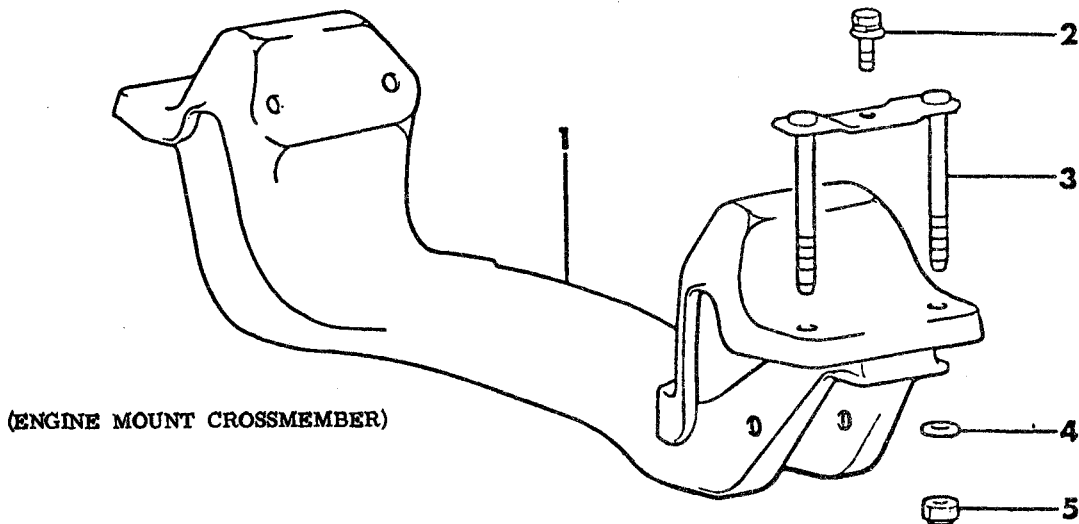


7713 200 A

FRAME
24 RWD - CONQUEST



1987-88 IMPORT PARTS CATALOG

Figure 13-200
Illus. Page 13-5

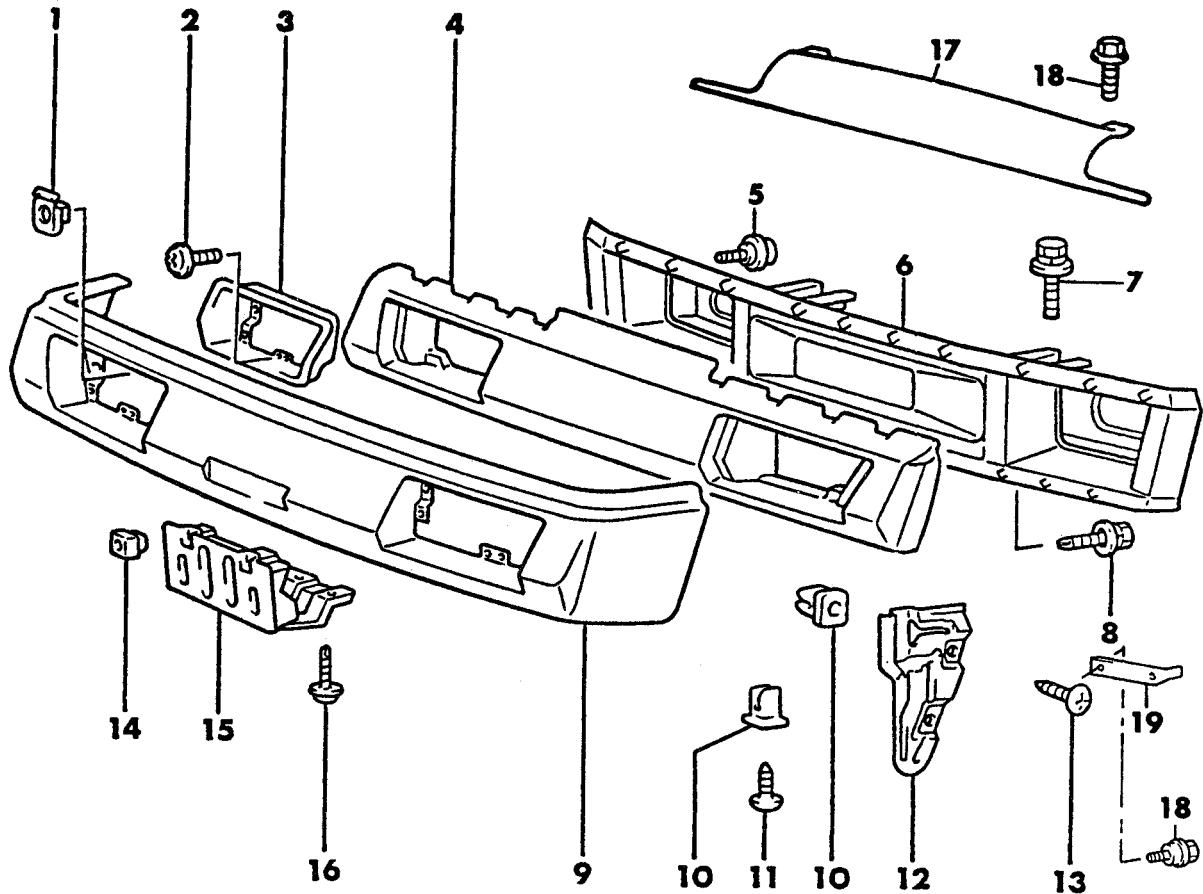
FRAME & BUMPERS

ITEM	PART NUMBER	QTY	BODY	MODEL	DESCRIPTION
FRAME 24 RWD - CONQUEST					
1					CROSSMEMBER, Engine Mount
	MB51 8007	1			w/o Intercooler (1987)
	MB43 0580	1			w/Intercooler
2	MB10 9746	2			BOLT, Crossmember
3	MF24 3649	2			BOLT, Washer Assembled (8X16)
4	MB10 9749	4			WASHER, Plain (12)
5	MF44 5243	4			NUT, Self Locking (12)
6	MU43 0002	4			NUT (10)
7	MS45 0043	4			WASHER, Spring (10)
8	MB24 2150	2			CUSHION, Upper
9	MB24 2151	2			CUSHION, Lower
10	MB24 2153	4			BOLT, Large Head (10X95)
11	MF24 3649	2			BOLT, Washer Assembled (8X16)
12	MB11 0918	2			BOLT, Crossmember
13	MB11 1430	1			CROSSMEMBER, Differential Mount, Rear
14	MS44 0003	4			NUT, Self Locking (12)
15	MF24 1307	6			BOLT, Washer Assembled (12X25)
16	MB11 0883	2			PIN, Front Support
17	MB11 1442	2			STOPPER, Upper
18	MB11 1250	1			SUPPORT, Differential Mount, Front
19	MB11 1252	2			BUSHING (D)
20	MB11 0887	2			STOPPER, Lower
21	MB24 2260	2			NUT, Flange, Self Locking (12)
22	MF24 1280	2			BOLT, Washer Assembled (10X20)

ENGINE:	Q=1500 cc	A=2000 cc	TRANS:	A=Automatic	4=4-Speed Manual
Blank=All	K=1600 cc (w/o Balance Shaft)	F=2600 cc (Car)	Blank=All	M=All Manual	5=5-Speed Manual
	W=2600 cc (Truck)				8=4 x 2 Manual
SERIES:	H=High	MODELS: 24 FWD=2-Dr Hatchback (Colt)	27 RWD-4WD=Pickup (Ram 50, Power Ram 50)		
L=Low	P=Premium	24 RWD=2-Dr Hatchback (Conquest)	27 4WD=Sport Utility (Raider)	45 FWD=4-Dr Station Wagon (Colt)	
M=Medium	S=Special	41 FWD=4-Dr Sedan (Colt & Eagle Vista)		45 FWD-4WD=Station Wagon (Vista)	
AR=Use as Required	# =New Part Number	- =Non Illustrated Part	Printed in U.S.A.	FEBRUARY, 1989	

7713 1000 A

BUMPER - FRONT
24 RWD - CONQUEST



1987-88 IMPORT PARTS CATALOG

Figure 13-1000
Illus. Page 13-27

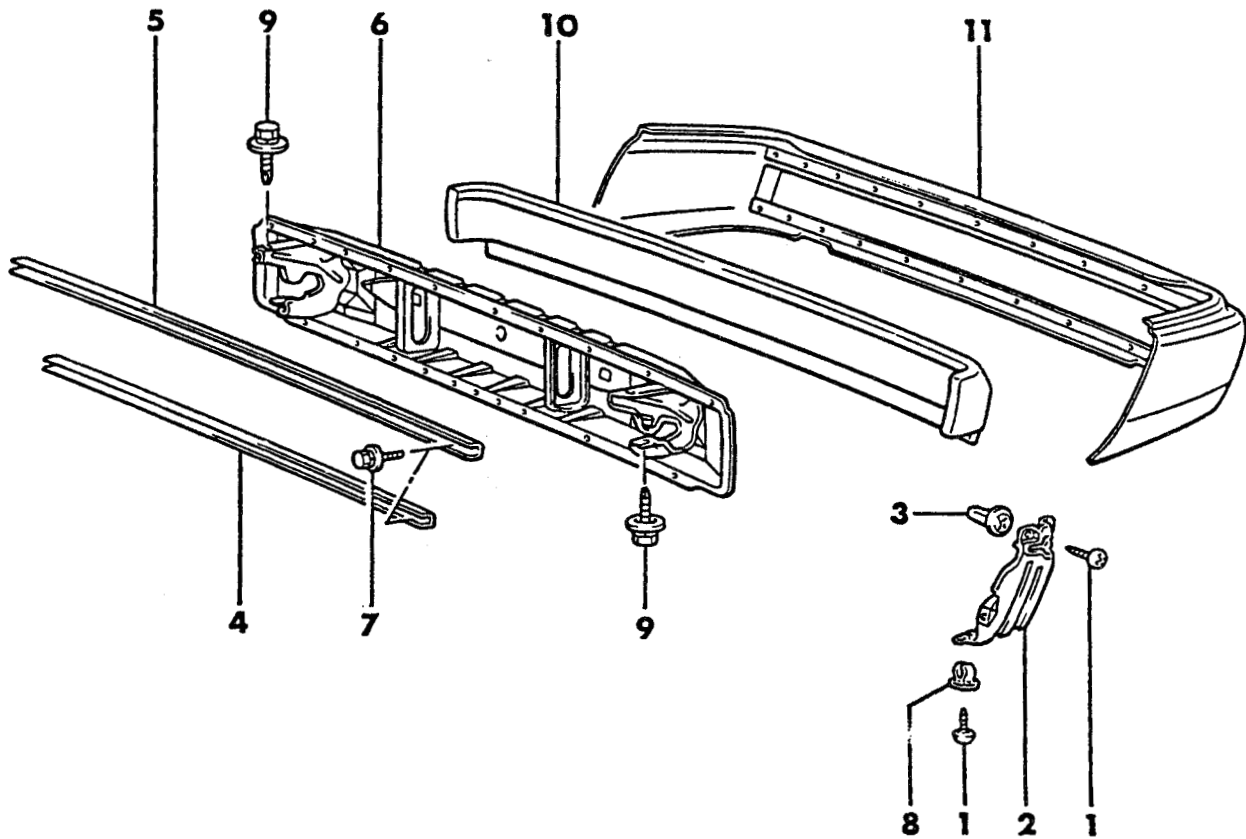
FRAME & BUMPERS

ITEM	PART NUMBER	QTY	BODY	MODEL	DESCRIPTION
BUMPER - FRONT 24 RWD - CONQUEST					
1	MB40 6404	6			NUT, Plate
2	MS20 0306	8			SCREW, Machine Flange (5X12)
3	MB32 5355	1			BRACKET, Front Bumper Lamp, Left
	MB32 5356	1			Right
4	MB32 5343	1			CORE, Front Bumper
5	MB36 9296	10			BOLT, Flange (1987)
	MB34 4632	10			(1988)
6	MB32 5346	1			BACK BEAM, Front Bumper
7	MB06 2861	4			BOLT, Washer Assembled (10X30)
8	MS24 0141	8			BOLT, Washer Assembled (6X16)
9	MB44 5044	1			FACE, Front Bumper (White)
10	MS48 0009	8			GROMMET, Screw (5)
11	MS45 0177	2			SCREW, Tapping (5X20)
12	MB18 2205	1			PLATE, Front Bumper Guide, Left, Turbo w/o Intercooler (1987)
	MB40 6767	1			Left, Turbo w/Intercooler
	MB18 2206	1			Right, Turbo w/o Intercooler (1987)
	MB40 6768	1			Right, Turbo w/Intercooler
13	MS45 0177	6			SCREW, Tapping (5X16)
14	MA16 5401	2			NUT, License Plate
15	MB32 5970	1			BRACKET, License Plate
16	MS20 0311	3			SCREW, Machine Flange (6X12)
17	MB29 6030	1			PANEL, Header
18	MS10 0223	22			BOLT, Flange (6X10)
19					SUPPORT, Bumper, Front
	MB58 6852	1			Left (1988)
	MB58 6853	1			Right (1988)

ENGINE:	Q=1500 cc	A=2000 cc	TRANS:	A=Automatic	4=4-Speed Manual
Blank=All	K=1600 cc (w/o Balance Shaft)	F=2600 cc (Car)	Blank=All	M=All Manual	5=5-Speed Manual
	W=2600 cc (Truck)				8=4 x 2 Manual
SERIES:	H=High	MODELS: 24 FWD=2-Dr Hatchback (Colt)	27 RWD-4WD=Pickup (Ram 50, Power Ram 50)		
L=Low	P=Premium	24 RWD=2-Dr Hatchback (Conquest)	27 4WD=Sport Utility (Raider)	45 FWD=4-Dr Station Wagon (Colt)	
M=Medium	S=Special	41 FWD=4-Dr Sedan (Colt & Eagle Vista)		45 FWD-4WD=Station Wagon (Vista)	
AR=Use as Required	# =New Part Number	- =Non Illustrated Part		Printed in U.S.A.	FEBRUARY, 1989

7713 1100

BUMPER - REAR
24 RWD - CONQUEST



1987-88 IMPORT PARTS CATALOG

Figure 13-1100
Illus. Page 13-29

FRAME & BUMPERS

ITEM	PART NUMBER	QTY	BODY	MODEL	DESCRIPTION
BUMPER - REAR 24 RWD - CONQUEST					
1	MS45 0177	8			SCREW, Tapping (5X16)
2	MB18 2207	1			PLATE, Rear Bumper Guide, Left
	MB18 2208	1			Right
3	MB08 8341	6			GROMMET, Screw
4	MB18 2220	1			PLATE, Rear Bumper, Lower
5	MB18 2219	1			PLATE, Rear Bumper, Upper
6	MB18 2358	1			BACK BEAM, Rear Bumper
7	MS24 0121	19			BOLT, Washer Assembled (6X20)
8	MS48 0009	2			GROMMET, Screw (5)
9	MB06 2861	4			BOLT, Washer Assembled (10X30)
10	MB18 2211	1			CORE, Rear Bumper
11	MB44 0993	1			FACE, Rear Bumper (White/Black) (Paint as Required)

ENGINE:	Q=1500 cc	A=2000 cc	TRANS:	A=Automatic	4=4-Speed Manual
Blank=All	K=1600 cc (w/o Balance Shaft)	F=2600 cc (Car)	Blank=All	M=All Manual	5=5-Speed Manual
	W=2600 cc (Truck)				8=4 x 2 Manual
SERIES:	H=High	MODELS: 24 FWD=2-Dr Hatchback (Colt)	27 RWD-4WD=Pickup (Ram 50, Power Ram 50)		
L=Low	P=Premium	24 RWD=2-Dr Hatchback (Conquest)	27 4WD=Sport Utility (Raider)	45 FWD=4-Dr Station Wagon (Colt)	
M=Medium	S=Special	41 FWD=4-Dr Sedan (Colt & Eagle Vista)		45 FWD-4WD=Station Wagon (Vista)	
AR=Use as Required	# =New Part Number	- =Non Illustrated Part	Printed in U.S.A.	FEBRUARY, 1989	