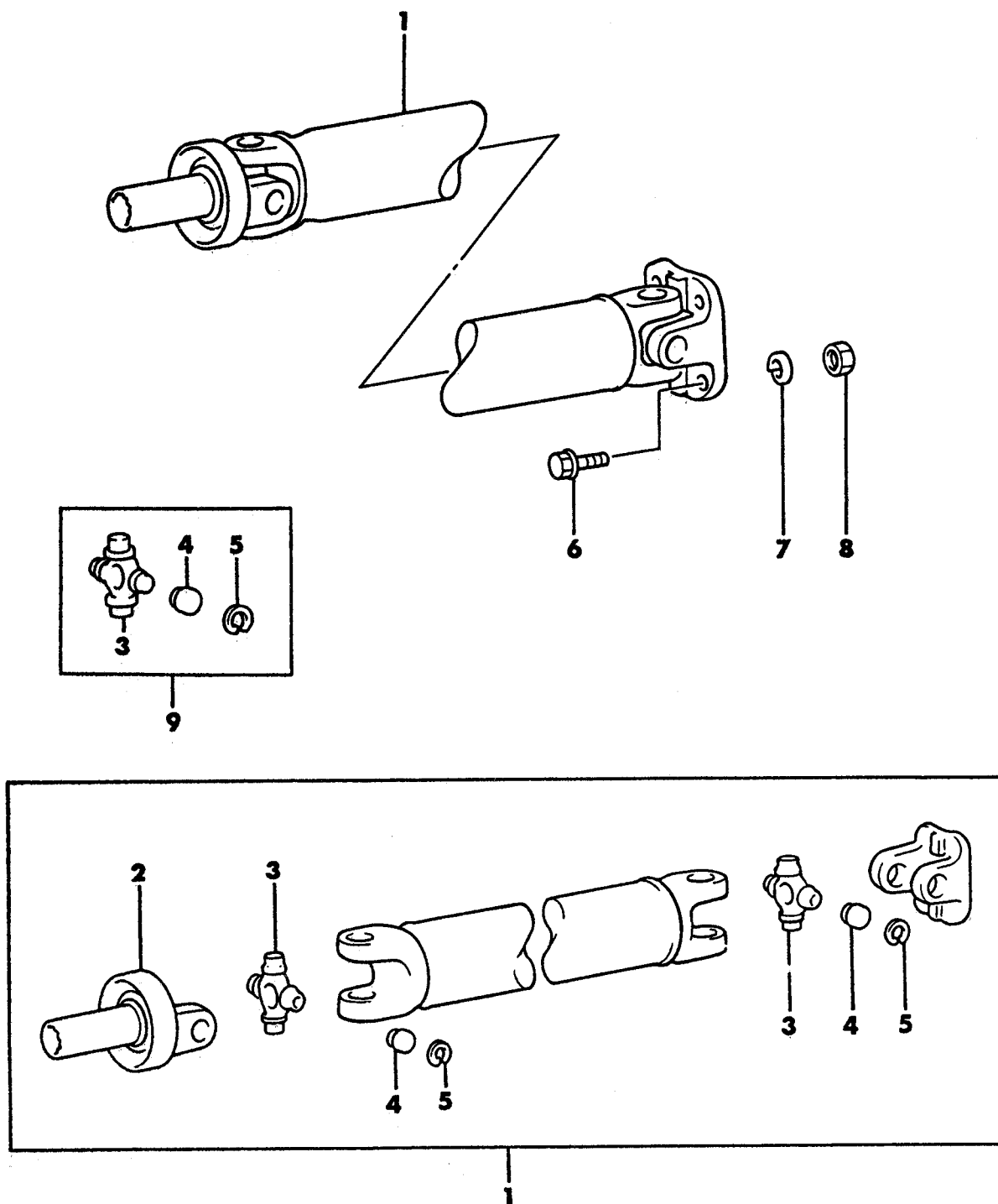


SHAFT, PROPELLER AND UNIVERSAL JOINT
24 RWD - CONQUEST

7718 100



PROP. SHAFT & UNIV. JT.

ITEM	PART NUMBER	QTY	BODY	MODEL	DESCRIPTION
------	-------------	-----	------	-------	-------------

SHAFT, PROPELLER AND UNIVERSAL JOINT
24 RWD - CONQUEST

1-5					SHAFT ASSEMBLY, Propeller
	MB15 4242	1			w/5 Spd. Trans., w/o Intercooler (1987)
	MB15 4273	1			w/5 Spd. Trans., w/Intercooler
	MB15 4244	1			w/Auto. Trans. (Up to 8-1-87)
	MB50 5568	1			w/Auto. Trans. (After 8-1-87)
2					YOKE, Sleeve
	MB00 0771	1			w/5 Spd. Trans., w/o Intercooler (1987)
	MB15 4186	1			w/5 Spd. Trans., w/Intercooler
	MB15 4286	1			w/Auto. Trans. (Up to 8-1-87)
	MB50 5567	1			w/Auto. Trans. (After 8-1-87)
3					JOURNAL, Universal Joint (Serviced In Package Item No. 9)
4					BEARING, Universal Joint (Serviced In Package Item No. 9)
5					SNAP RING (T=1.28) (Serviced In Package Item No. 9)
					(T=1.40)
					(T=1.31)
					(T=1.34)
					(T=1.37)
6	MB15 4094	4			BOLT
7	MS45 0043	4			WASHER, Spring (10)
8	MU43 0002	4			NUT (10)
9	MB15 4261	2			U-JOINT PACKAGE, Universal

ENGINE:	Q=1500 cc	A=2000 cc	TRANS:	A=Automatic	4=4-Speed Manual
Blank=All	K=1600 cc (w/o Balance Shaft)	F=2600 cc (Car)	Blank=All	M=All Manual	5=5-Speed Manual
	W=2600 cc (Truck)				8=4 x 2 Manual
SERIES:	H=High	MODELS:	24 FWD=2-Dr Hatchback (Colt)	27 RWD-4WD=Pickup (Ram 50, Power Ram 50)	
L=Low	P=Premium		24 RWD=2-Dr Hatchback (Conquest)	27 4WD=Sport Utility (Raider)	45 FWD=4-Dr Station Wagon (Colt)
M=Medium	S=Special		41 FWD=4-Dr Sedan (Colt & Eagle Vista)		45 FWD-4WD=Station Wagon (Vista)
AR=Use as Required	#=New Part Number	--=Non Illustrated Part		Printed in U.S.A.	FEBRUARY, 1989

NOT FOR RESALE - UNKNOWN SOURCE - DOWNLOADED FOR FREE FROM: WWW.STARQUESTGARAGE.COM