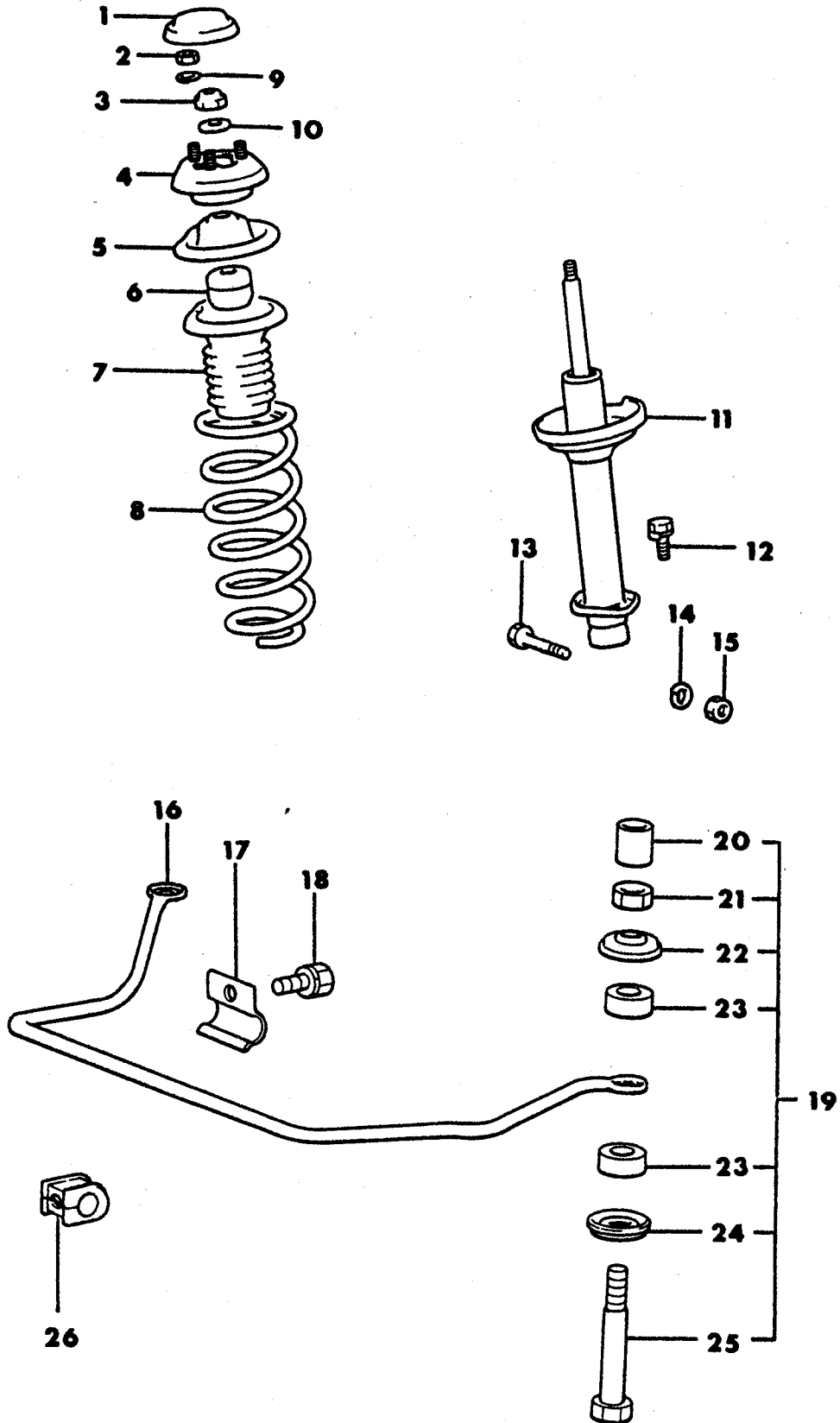


7717 200

SUSPENSION, REAR
24 RWD - CONQUEST



1987-88 IMPORT PARTS CATALOG

Figure 17-200
Illus. Page 17-7

REAR SUSPENSION

ITEM	PART NUMBER	QTY	BODY	MODEL	DESCRIPTION
SUSPENSION, REAR 24 RWD - CONQUEST					
1	MB11 1441	2			CAP, Strut House
2	MU43 0002	6			NUT, (10)
3	MB24 2260	2			NUT, Flange, Self Locking (12)
4	MB11 0929	2			INSULATOR, Strut
5	MB51 5847	2			SEAT, Spring, Upper
6	MB34 9347	2			BUMPER, Rubber
7	MB11 0930	2			COVER, Dust
8	MB11 0935	2			SPRING, Rear w/o Intercooler
	MB11 0936	2			w/ Intercooler
9	MF45 0406	6			WASHER, Spring (10)
10	MB11 1108	2			WASHER
11	MB51 5013	1			STRUT, Lt. w/o Intercooler (1987)
	MB43 0882	1			Lt., Std. (1988)
	MB43 0880	1			Lt., Gas, w/Intercooler (1987)
	MB57 3017	1			Lt. w/Handling Pkg. (1988)
	MB51 5014	1			Rt. w/o Intercooler (1987)
	MB43 0883	1			Rt., Std., (1988)
	MB43 0881	1			Rt., Gas, w/Intercooler (1987)
	MB57 3018	1			Rt. w/Handling Pkg.(1988)
12	MF24 1307	4			BOLT, w/Washer (12x25)
13	MF10 6123	2			BOLT, (12x75)
14	MS45 0044	2			WASHER, Spring (12)
15	MF43 0123	2			NUT, (12)
16	MB11 1231	1			BAR, Stabilizer w/o Intercooler
	MB11 1234	1			w/Intercooler
17	MB11 1246	2			BRACKET, (B)
18	MF24 1279	2			BOLT, w/Washer (10x18)
19	MB18 5429	2			STABILIZER LINK PACKAGE, Rear
20					COLLAR (Serv. in Kit)
21					NUT, Self Locking, (Serv. in Kit)
22					CUP, Joint (Serv. in Kit)
23					BUSHING, Rubber (Serv. in Kit)
24					CUP, Joint B (Serv. in Kit)
25					BOLT, (Serv. in Pkg.)
26	MB11 1241	2			BUSHING, w/o Intercooler
	MB11 1243	2			w/Intercooler

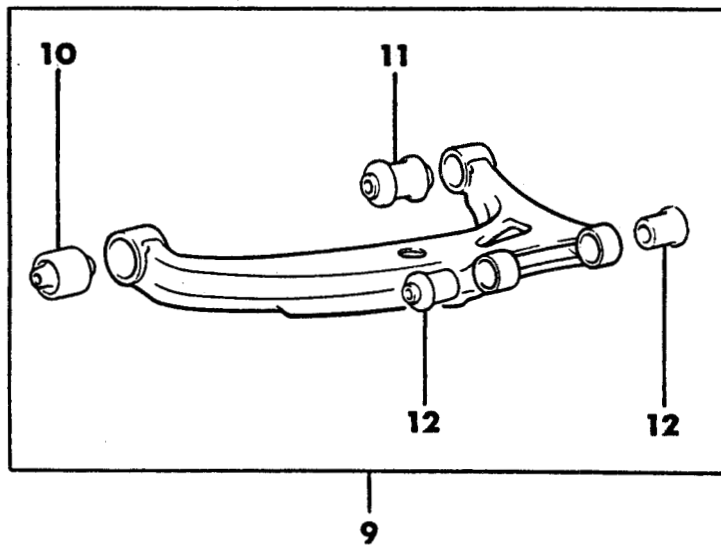
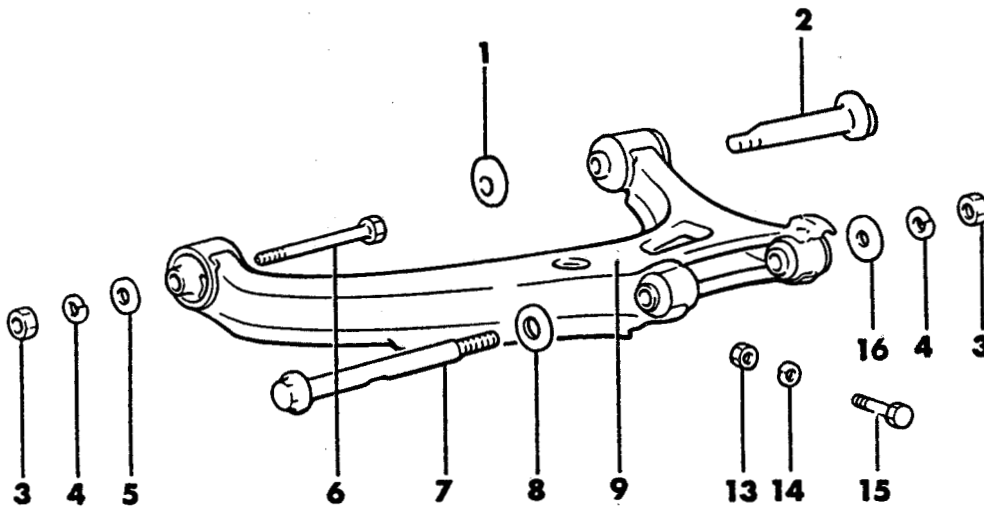
ENGINE:	Q=1500 cc	A=2000 cc	TRANS:	A=Automatic	4=4-Speed Manual
Blank=All	K=1600 cc (w/o Balance Shaft)	F=2600 cc (Car)	Blank=All	M=All Manual	5=5-Speed Manual
	W=2600 cc (Truck)				8=4 x 2 Manual

SERIES:	H=High	MODELS:	24 FWD=2-Dr Hatchback (Colt)	27 RWD-4WD=Pickup (Ram 50, Power Ram 50)
L=Low	P=Premium		24 RWD=2-Dr Hatchback (Conquest)	27 4WD=Sport Utility (Raider)
M=Medium	S=Special		41 FWD=4-Dr Sedan (Colt & Eagle Vista)	45 FWD=4-Dr Station Wagon (Colt)
				45 FWD-4WD=Station Wagon (Vista)

AR=Use as Required # =New Part Number - =Non Illustrated Part Printed in U.S.A. FEBRUARY, 1989

7717 300

LOWER CONTROL ARM, REAR
24 RWD - CONQUEST



1987-88 IMPORT PARTS CATALOG

Figure 17-300
Illus. Page 17-9

REAR SUSPENSION

ITEM	PART NUMBER	QTY	BODY	MODEL	DESCRIPTION
LOWER CONTROL ARM, REAR 24 RWD - CONQUEST					
1	MB11 1440	2			PLATE, (B)
2	MB11 1437	2			BOLT, Lower Arm
3	MB30 3958	6			NUT, (14)
4	MS45 0045	6			WASHER, Spring (14)
5	MF45 0008	2			WASHER, Plain (14)
6	MB11 0679	2			BOLT, Cone Point (14x175)
7	MB11 0904	2			SHAFT, Lower Arm (up to 11-1-86)
	MU14 0007				(After 11-1-86)
8	MB51 5839	2			WASHER, (18)
9	MB11 0891	1			ARM, Lower, LT.
	MB11 0892	1			RT.
10	MB11 1357	2			BUSHING, (A)
11	MB11 0902	2			BUSHING, (B)
12	MB11 0903	4			BUSHING, (C)
13	MF43 0725	2			NUT, Jam (8)
14	MF45 0405	2			WASHER, Spring (8)
15	MB11 1099	2			BOLT
16	MB51 5838	2			WASHER, (14)

ENGINE:	Q=1500 cc	A=2000 cc	TRANS:	A=Automatic	4=4-Speed Manual
Blank=All	K=1600 cc (w/o Balance Shaft)	F=2600 cc (Car)	Blank=All	M=All Manual	5=5-Speed Manual
	W=2600 cc (Truck)				8=4 x 2 Manual
SERIES:	H=High	MODELS: 24 FWD=2-Dr Hatchback (Colt)	27 RWD-4WD=Pickup (Ram 50, Power Ram 50)		
L=Low	P=Premium	24 RWD=2-Dr Hatchback (Conquest)	27 4WD=Sport Utility (Raider)	45 FWD=4-Dr Station Wagon (Colt)	
M=Medium	S=Special	41 FWD=4-Dr Sedan (Colt & Eagle Vista)		45 FWD-4WD=Station Wagon (Vista)	
AR=Use as Required	# =New Part Number	-- =Non Illustrated Part		Printed in U.S.A.	FEBRUARY, 1989