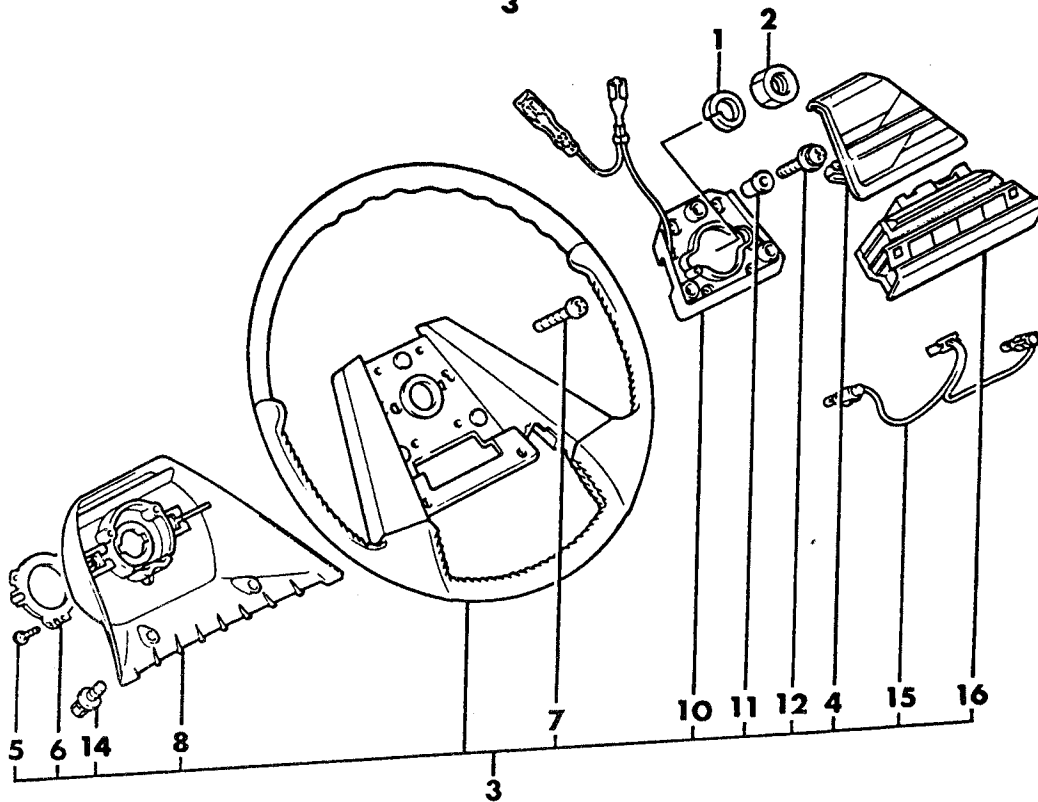
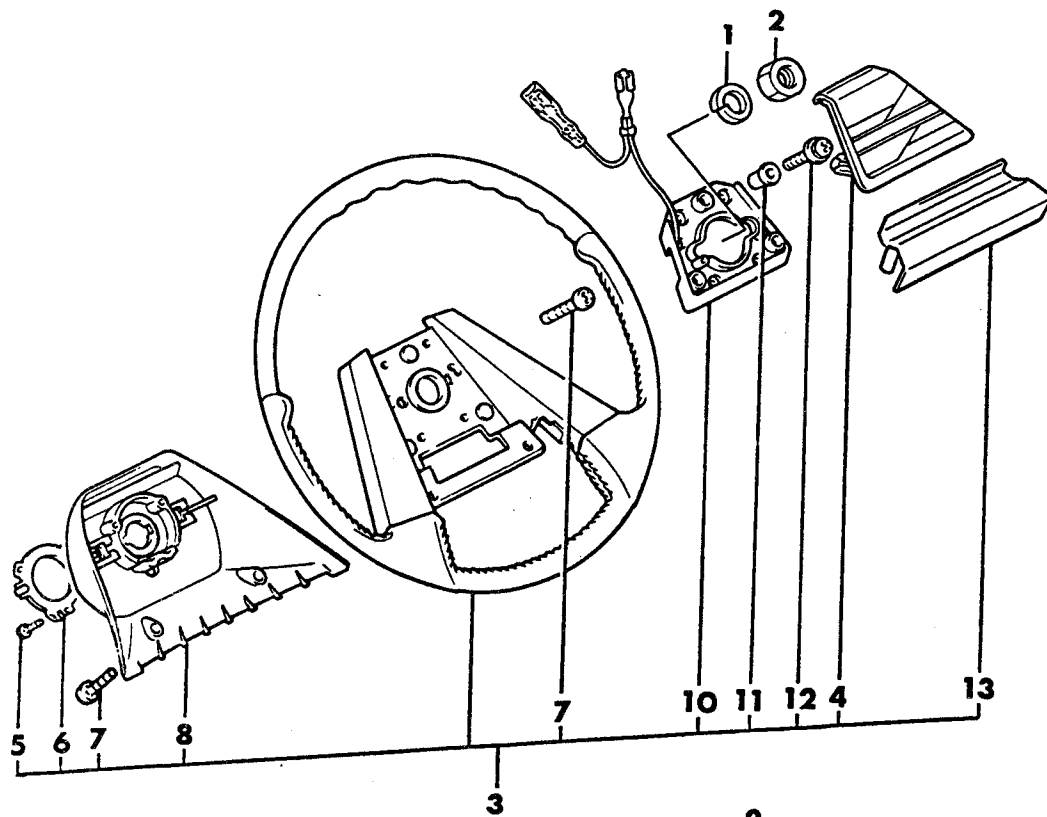


WHEEL, STEERING
 24 RWD - CONQUEST (1987)

7719 200 A



1987-88 IMPORT PARTS CATALOG

Figure 19-200
 Illus. Page 19-5

STEERING

ITEM	PART NUMBER	QTY	BODY	MODEL	DESCRIPTION
WHEEL, STEERING 24 RWD - CONQUEST (1987)					
1	MS45 0044	1			WASHER, Spring (12)
2	MF43 0123	1			NUT, Jam (12)
3	MB37 9432	1			WHEEL, Strg. (Black)
	MB70 8345	1			(Black) w/ Opt. Radio Pkg.
	MB37 9433	1			(Dark Red)
	MB70 8346	1			(Dark Red) w/ Opt. Radio Pkg.
4	MB37 9422	1			ORNAMENT
5	MB41 2277	3			SCREW, (3x10)
6	MB41 2274	1			CONTACT RING
7	MB41 2279	4			SCREW, (5x14)
8	MB41 2271	1			COVER, Lower (Black)
	MB41 2272	1			(Dark Red)
	MB41 2273	1			(Brown)
10	MB41 2275	1			SWITCH, Horn
11	MB41 2276	4			SPACER
12	MB41 2278	4			SCREW, (4x16)
13	MB41 2290	1			COVER, Dummy
14	MB41 2280	2			SCREW, (5x14)
15	MB38 2235	1			LED
16	MB51 0797	1			SWITCH, Strg. R/Cont.

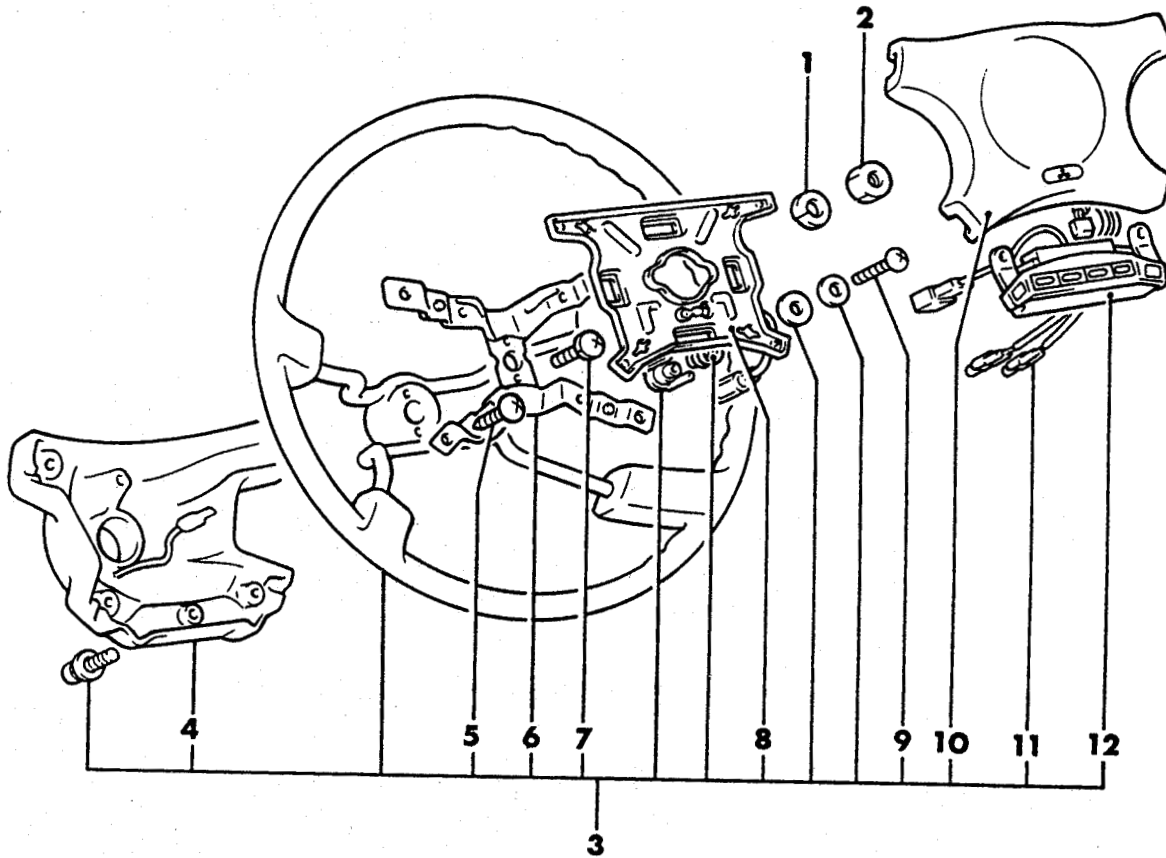
ENGINE:	Q=1500 cc	A=2000 cc	TRANS:	A=Automatic	4=4-Speed Manual
Blank=All	K=1600 cc (w/o Balance Shaft)	F=2600 cc (Car)	Blank=All	M=All Manual	5=5-Speed Manual
	W=2600 cc (Truck)				8=4 x 2 Manual

SERIES:	H=High	MODELS:	24 FWD=2-Dr Hatchback (Colt)	27 RWD-4WD=Pickup (Ram 50, Power Ram 50)
L=Low	P=Premium		24 RWD=2-Dr Hatchback (Conquest)	27 4WD=Sport Utility (Raider)
M=Medium	S=Special		41 FWD=4-Dr Sedan (Colt & Eagle Vista)	45 FWD=4-Dr Station Wagon (Colt)
				45 FWD-4WD=Station Wagon (Vista)

AR=Use as Required # = New Part Number - = Non Illustrated Part Printed in U.S.A. FEBRUARY, 1989

7719 250

WHEEL, STEERING
24 RWD - CONQUEST (1988)



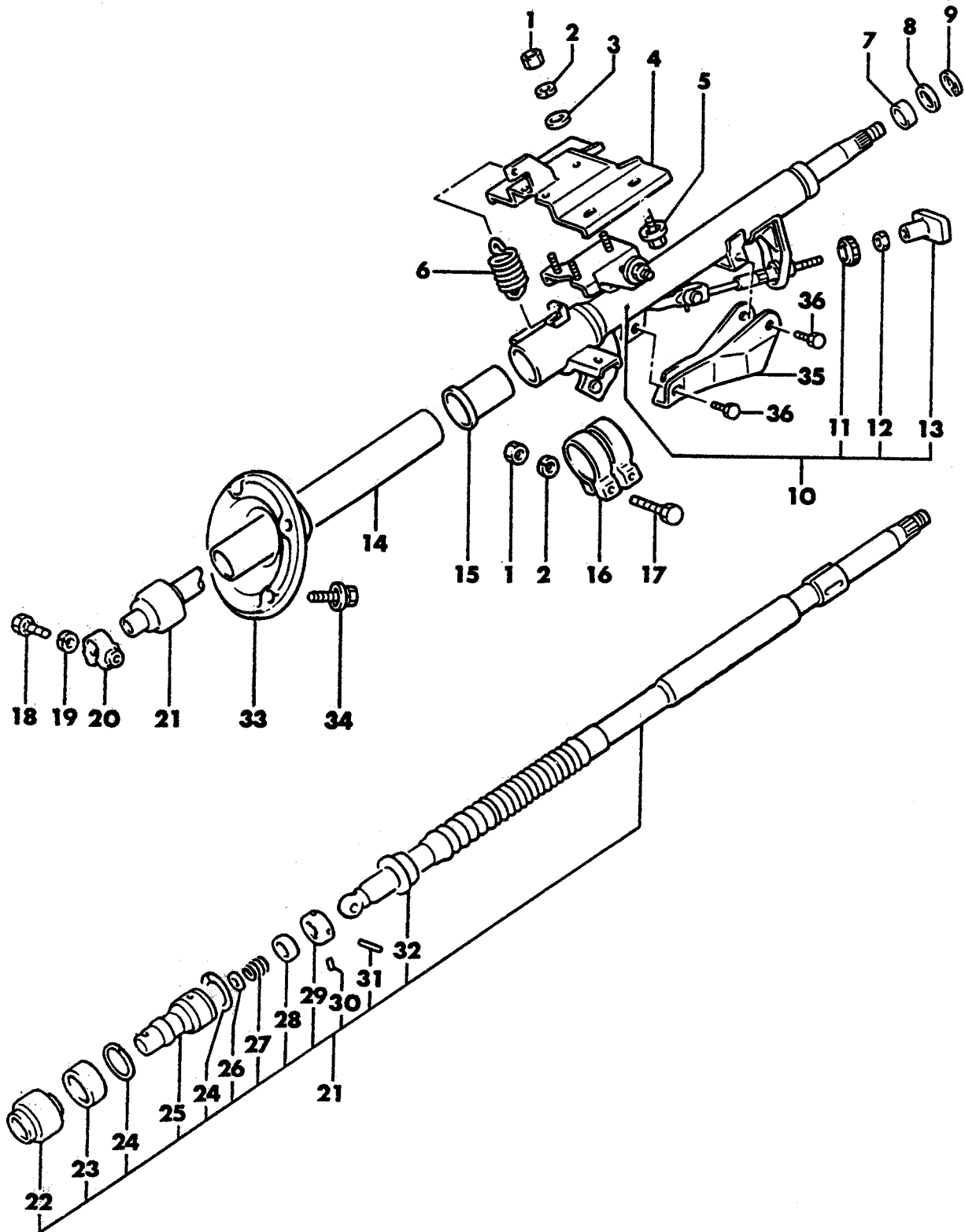
STEERING

ITEM	PART NUMBER	QTY	BODY	MODEL	DESCRIPTION
WHEEL, STEERING 24 RWD - CONQUEST (1988)					
1	MS45 0044	1			WASHER, (12)
2	MF43 0123	1			NUT, (12 4T)
3	MB71 8690	1			WHEEL, Steering (Red)
	MB72 4351	1			(Black)
4	MB72 5488	1			COVER, Lower (Black)
	MB72 5489	1			(Red)
5	MS20 0122	6			SCREW, (4x12)
6	MB56 4553	1			PLATE, Boss
7	MF35 0024	2			SCREW, w/Washer (4x12)
8	MB56 4555	1			SET PLATE, Horn Contact
9	MF20 0031	4			SCREW, (4x20)
10	MB71 8695	1			PAD, Horn (Black)
	MB71 8696	1			(Red)
11	MB57 2225	1			CORD, Horn
12	MB57 2331	1			CONTROL, Radio (Black)
	MB57 2332	1			(Red)

ENGINE:	Q=1500 cc	A=2000 cc	TRANS:	A=Automatic	4=4-Speed Manual
Blank=All	K=1600 cc (w/o Balance Shaft)	F=2600 cc (Car)	Blank=All	M=All Manual	5=5-Speed Manual
	W=2600 cc (Truck)				8=4 x 2 Manual
SERIES:	H=High	MODELS:	24 FWD=2-Dr Hatchback (Colt)	27 RWD-4WD=Pickup (Ram 50, Power Ram 50)	
L=Low	P=Premium		24 RWD=2-Dr Hatchback (Conquest)	27 4WD=Sport Utility (Raider)	45 FWD=4-Dr Station Wagon (Colt)
M=Medium	S=Special		41 FWD=4-Dr Sedan (Colt & Eagle Vista)		45 FWD-4WD=Station Wagon (Vista)
AR=Use as Required	# =New Part Number	-- =Non Illustrated Part		Printed in U.S.A.	FEBRUARY, 1989

7719 800

COLUMN STEERING
24 RWD - CONQUEST



1987-88 IMPORT PARTS CATALOG

Figure 19-600
 (Ilus. Page 19-17)

STEERING

ITEM	PART NUMBER	QTY	BODY	MODEL	DESCRIPTION
COLUMN STEERING 24 RWD - CONQUEST					
1	MF43 0005	5			NUT, (8)
2	MF45 0405	8			WASHER, Spring (8)
3	MF45 0005	3			WASHER, Plain (8)
4	MB53 2335	1			PLATE, Strg. Col. Supt.
5	MS24 0917	4			BOLT, w/Washer (8X25)
6	MB53 2350	1			SPRING, COL. Hunger
7	MB12 2928	2			SPACER, Brg. Upper
8	MB12 2950	1			STOPPER, Brg. Spacer
9	MF52 2011	1			SNAP RING, (20)
10	MB53 2327	1			COLUMN, Steering
11	MB53 2353	1			NUT, Lock
12	MB53 2360	1			KNOB, Tilt
13	MS43 1042	1			NUT, Jam
14	MB12 2923	1			COLUMN, Steering Lower
15	MB19 2030	1			BUSHING
16	MA15 1919	1			CLAMP
17	MF10 0063	2			BOLT, (8X40)
18	MA15 1915	1			BOLT
19	MF45 0405	1			WASHER, Spring (8)
20	MB34 7847	1			CLAMP
21	MB16 6313	1			SHAFT
22	MA15 1967	1			COVER
23	MA15 1964	1			RETAINER
24	MA15 1965	2			STOPPER
25	MB07 6639	1			SOCKET
26	MA15 1963	1			SEAT
27	MA15 1962	1			SPRING
28	MA15 1961	1			SEAT, Spring
29	MA15 1958	1			BEARING
30	MA15 1960	2			PIN
31	MA15 1959	1			PIN
32	MA15 1913	1			BEARING
33	MB12 2925	1			COVER, Dash Panel
34	MS24 0141	4			BOLT, w/Washer (6X20)
35	MB53 2758	1			COVER, Tilt Link
36	MF10 0051	3			BOLT, (8X12)

ENGINE:	Q=1500 cc	A=2000 cc	TRANS:	A=Automatic	4=4-Speed Manual
Blank=All	K=1600 cc (w/o Balance Shaft)	F=2600 cc (Car)	Blank=All	M=All Manual	5=5-Speed Manual
	W=2600 cc (Truck)				8=4 x 2 Manual

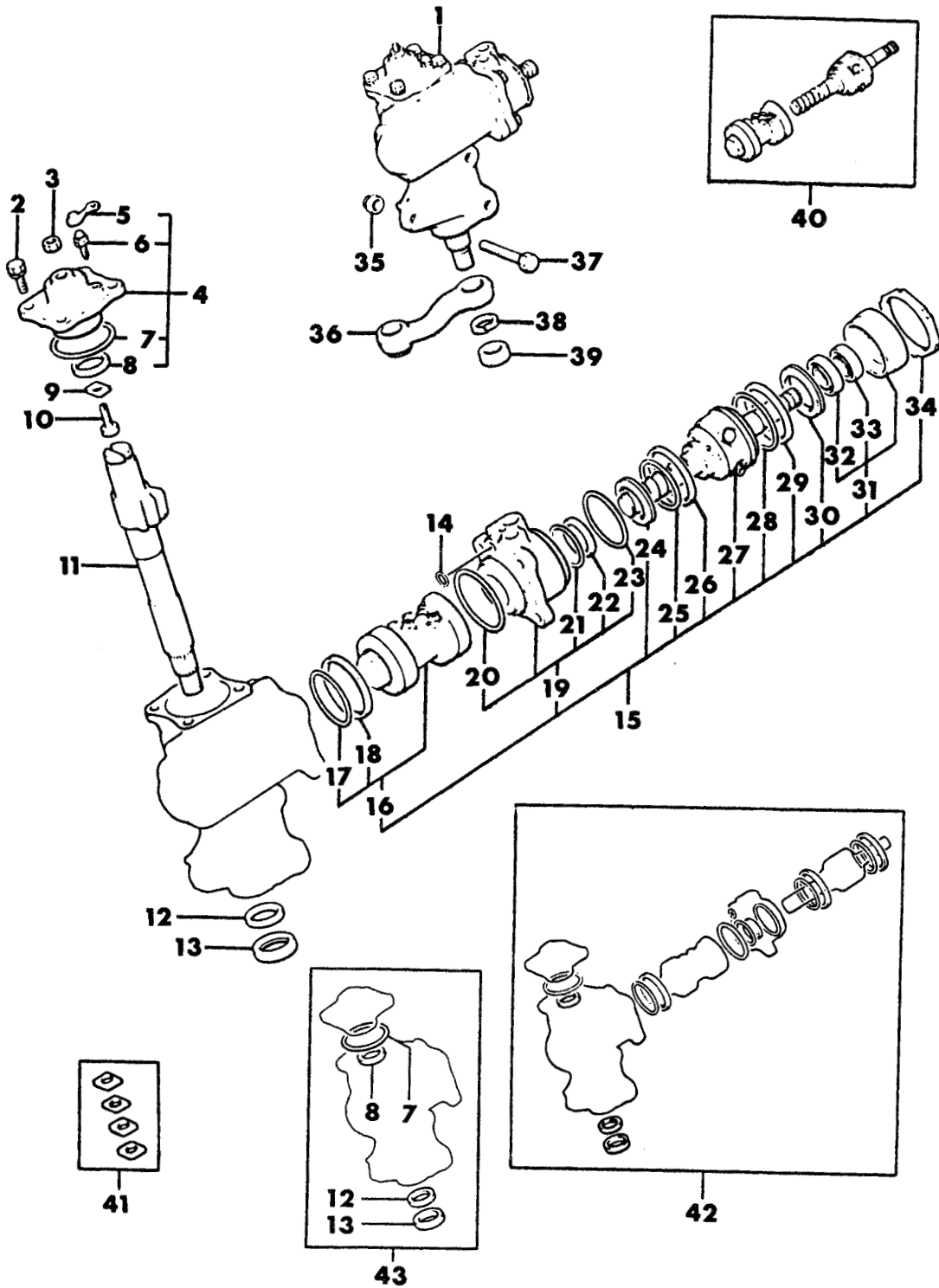
SERIES:	H=High	MODELS:	24 FWD=2-Dr Hatchback (Colt)	27 RWD-4WD=Pickup (Ram 50, Power Ram 50)
L=Low	P=Premium		24 RWD=2-Dr Hatchback (Conquest)	45 FWD=4-Dr Station Wagon (Colt)
M=Medium	S=Special		41 FWD=4-Dr Sedan (Colt & Eagle Vista)	45 FWD-4WD=Station Wagon (Vista)

AR=Use as Required # =New Part Number -- =Non Illustrated Part Printed in U.S.A. FEBRUARY, 1989

NOT FOR RESALE - UNKNOWN SOURCE - DOWNLOADED FOR FREE FROM: WWW.STARQUESTGARAGE.COM

7719 1200 A

GEAR, POWER STEERING
24 RWD - CONQUEST



NOT FOR RESALE - UNKNOWN SOURCE - DOWNLOADED FOR FREE FROM:
WWW.STARQUESTGARAGE.COM

1987-88 IMPORT PARTS CATALOG

Figure 19-1200
Illus. Page 19-29

STEERING

ITEM	PART NUMBER	QTY	BODY	MODEL	DESCRIPTION
GEAR, POWER STEERING					
24 RWD - CONQUEST					
1	MB31 5480	1			GEAR, Power Steering
2	MB16 6072	8			BOLT, w/Washer
3	MF43 1862	1			NUT, Large (10)
4	MB16 6068	1			COVER, Side
5	MB07 6193	1			CAP, Bleeder
6	MB07 6192	1			PLUG, Bleeder
7	MB16 6088	1			O-RING
8	MB50 1555	1			PACKING
9					SPACER, Adj, T=1.95 (Serv. in Set)
					T=2.00
					T=2.05
					T=2.10
					T=2.15
10	MB16 6071	1			BOLT, Adjusting
11	MB16 6180	1			SHAFT, Cross
12	MB50 1555	1			PACKING
13	MB16 6084	1			SEAL, Dust
14					O-RING, (Serv. in Pkg.)
15	MB31 5482	1			SCREW UNIT, Ball
16					PISTON, Rack (Serv. in Pkg.)
17					O-RING, (Serv. in Pkg.)
18					RING, Seal (Serv. in Pkg.)
19	MB16 6089	1			HOUSING, Valve
20					O-RING, (Serv. in Pkg.)
21					O-RING, (Serv. in Pkg.)
22					RING, Seal (Serv. in Pkg.)
23					O-RING, (Serv. in Pkg.)
24	MB16 6113	1			BEARING, Thrust Needle
25					O-RING, (Serv. in Pkg.)
26					RING, Seal (Serv. in Pkg.)
27					SHAFT, Main (Serv. in Pkg.)
28	MB16 6101	1			O-RING
29	MB16 6102	1			RING, Seal
30	MB16 6112	1			BEARING, Thrust Needle
31	MB16 6092	1			COVER, Top
32	MB16 6193	1			BEARING, Ball
33	MB16 6194	1			SEAL, Oil
34	MB16 6114	1			NUT, Lock
35	MS44 0002	3			NUT, Self Locking (10)
36	MB16 6900	1			ARM, Pitman
37	MB07 6072	3			BOLT, (10X85)
38	MF45 0411	1			WASHER, Spring (20)
39	MF43 0847	1			NUT, Jam (20)
40	MB31 5490	1			SCREW, Sub Unit, Ball
41	MB18 5512	1			SPACER SET, Adjusting
42	MB16 6073	1			SEAL PACKAGE, Gear Box
43	MB55 3252	1			SEAL PACKAGE, Sector Shaft

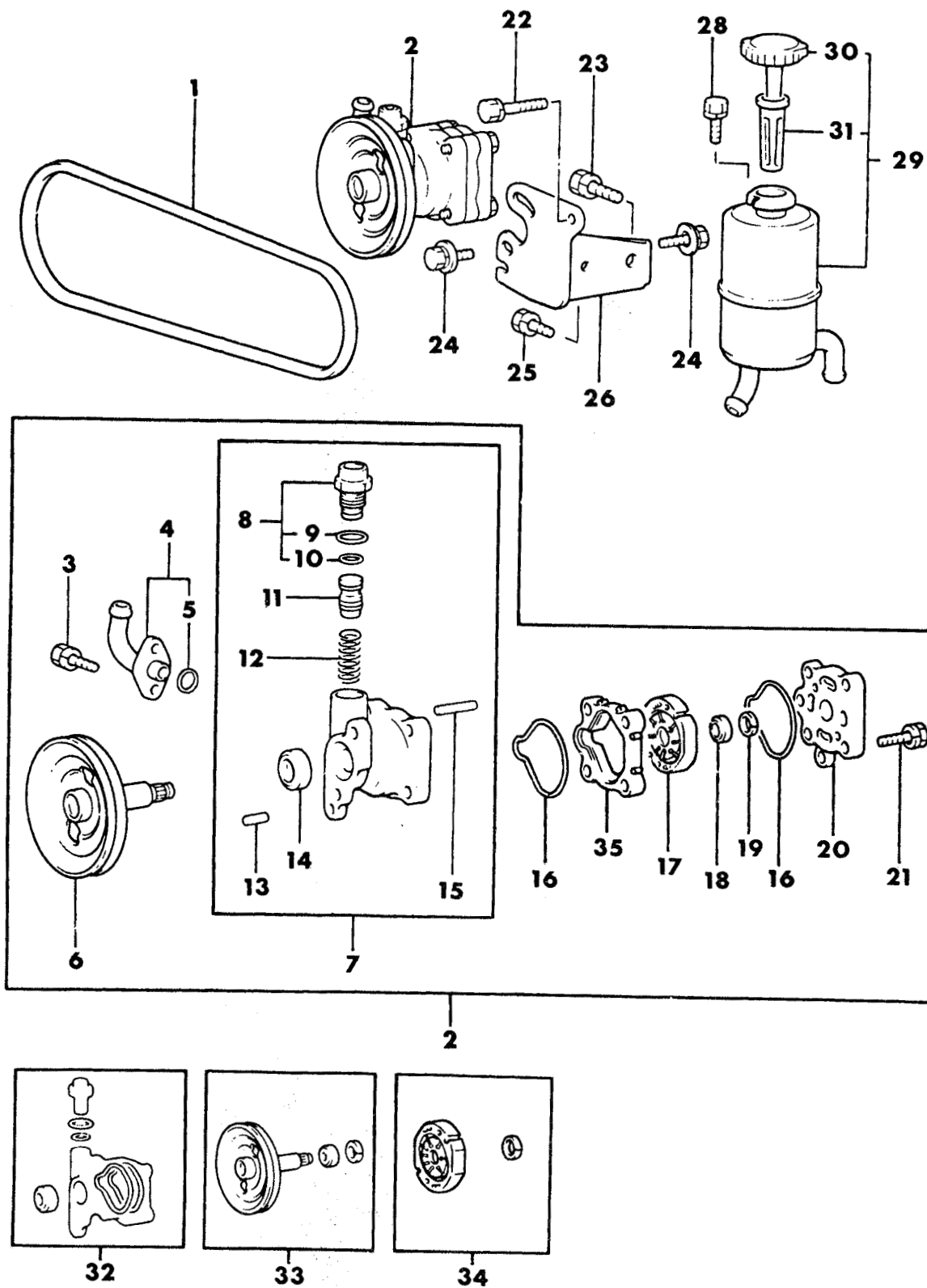
ENGINE:	Q=1500 cc	A=2000 cc	TRANS:	A=Automatic	4=4-Speed Manual
Blank=All	K=1600 cc (w/o Balance Shaft)	F=2600 cc (Car)	Blank=All	M=All Manual	5=5-Speed Manual
	W=2600 cc (Truck)				8=4 x 2 Manual

SERIES:	H=High	MODELS:	24 FWD=2-Dr Hatchback (Colt)	27 RWD-4WD=Pickup (Ram 50, Power Ram 50)
L=Low	P=Premium		24 RWD=2-Dr Hatchback (Conquest)	27 4WD=Sport Utility (Raider)
M=Medium	S=Special		41 FWD=4-Dr Sedan (Colt & Eagle Vista)	45 FWD=4-Dr Station Wagon (Colt)
				45 FWD-4WD=Station Wagon (Vista)

AR=Use as Required # =New Part Number - =Non Illustrated Part Printed in U.S.A. FEBRUARY, 1989

PUMP, POWER STEERING OIL
 24 RWD - CONQUEST

7719 2100



1987-88 IMPORT PARTS CATALOG

Figure 19-2100
illus. Page 19-51

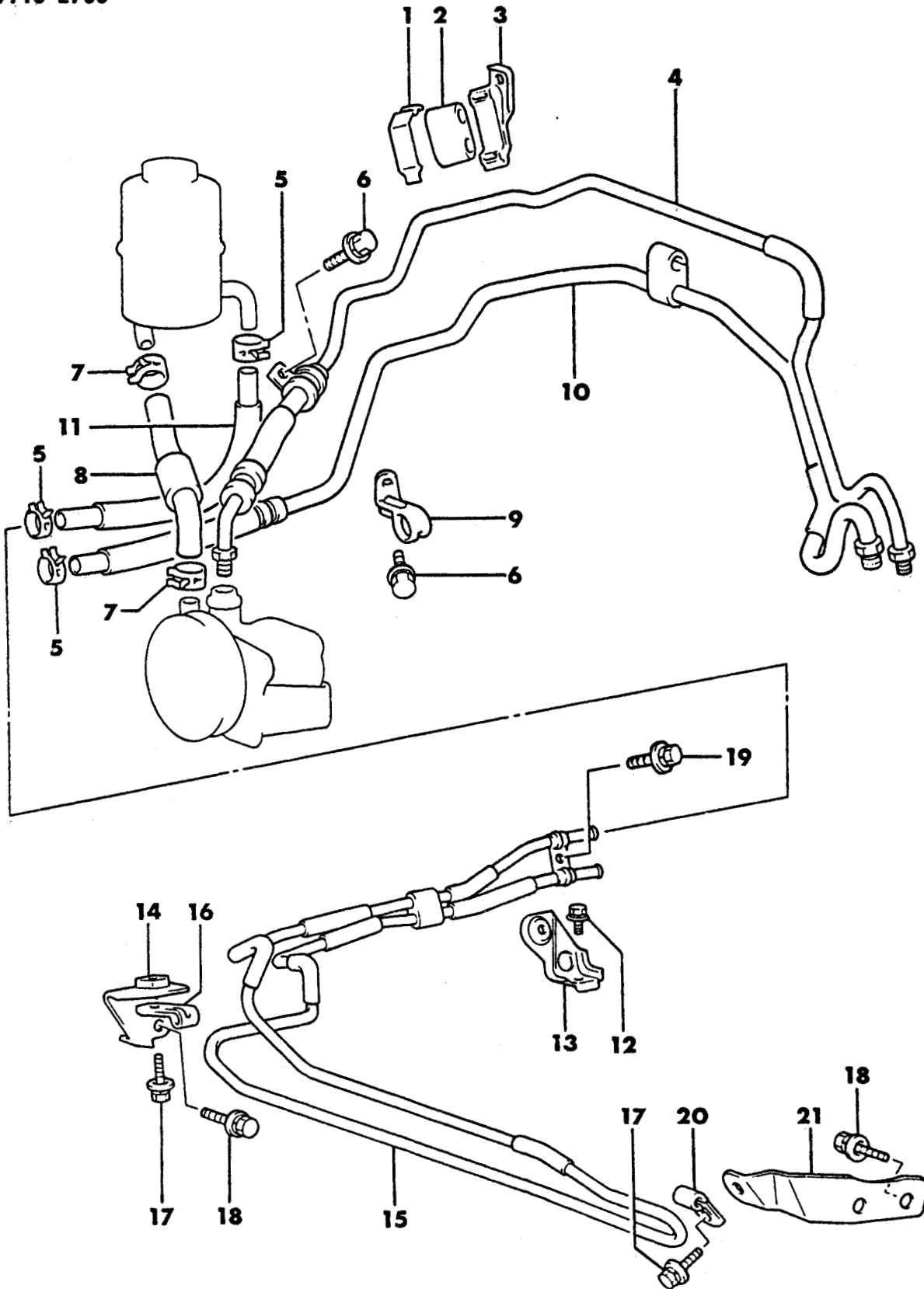
STEERING

ITEM	PART NUMBER	QTY	BODY	MODEL	DESCRIPTION
PUMP, POWER STEERING OIL 24 RWD - CONQUEST					
1	MB16 6411	1			BELT, (A- 740)
2	MB35 1364	1			PUMP, Oil
3	MF24 1223	2			BOLT, w/Washer (6x12)
4	MB35 0398	1			CONNECTOR, Suction
5	MB31 5534	1			O-RING
6					PULLEY and SHAFT, (Serv. in Pkg.)
7	MB35 1799	1			BODY
8	MB35 0384	1			CONNECTOR
9	MB07 6374	1			O-RING
10	MB07 6381	1			O-RING
11	MB35 1808	1			VALVE, (A) Flow Control
	MB35 1809	1			(B) Flow Control
	MB35 1810	1			(C) Flow Control
12	MB26 6662	1			SPRING, Flow Control
13	MB35 0383	1			PIN
14	MB07 6351	1			SEAL, Oil
15	MB26 6657	2			DOWEL
16					O-RING, (Serv. in Pkg.)
17					CARTRIDGE, (Serv. in Pkg.)
18	MB16 6134	1			COLLAR
19	MB35 1258	1			SNAP RING
20	MB35 1392	1			COVER
21	MF24 1259	4			BOLT, w/Washer (8x35)
22	MF24 1268	1			BOLT, w/Washer (8x75)
23	MF24 1280	1			BOLT, w/Washer (10x20)
24	MS24 0140	3			BOLT, w/Washer (8x20)
25	MF24 1251	1			BOLT, w/Washer (8x16)
26	MB31 5806	1			BRACKET, Oil Pump
28	MF24 0050	2			BOLT, w/Washer (8x14)
29	MB31 5745	1			RESERVOIR, Oil
30	MB28 8989	1			CAP, Reservoir
31	MB28 8239	1			FILTER, Oil
32	MB35 0395	1			SEAL PACKAGE, Oil Pump
33	MB35 1381	1			PULLEY and SHAFT PACKAGE, Oil Pump
34	MB35 1257	1			CARTRIDGE PACKAGE, Oil Pump
35	MB35 1254	1			CASE, Cam

ENGINE:	Q=1500 cc	A=2000 cc	TRANS:	A=Automatic	4=4-Speed Manual
Blank=All	K=1600 cc (w/o Balance Shaft)	F=2600 cc (Car)	Blank=All	M=All Manual	5=5-Speed Manual
	W=2600 cc (Truck)				8=4 x 2 Manual
SERIES:	H=High	MODELS: 24 FWD=2-Dr Hatchback (Colt)	27 RWD-4WD=Pickup (Ram 50, Power Ram 50)		
L=Low	P=Premium	24 RWD=2-Dr Hatchback (Conquest)	27 4WD=Sport Utility (Raider)	45 FWD=4-Dr Station Wagon (Colt)	
M=Medium	S=Special	41 FWD=4-Dr Sedan (Colt & Eagle Vista)		45 FWD-4WD=Station Wagon (Vista)	
AR=Use as Required	# =New Part Number	- =Non Illustrated Part		Printed in U.S.A.	FEBRUARY, 1989

7719 2700

HOSE & ATTACHING PARTS PWR. STRG.
24 RWD - CONQUEST



1987-88 IMPORT PARTS CATALOG

Figure 19-2700
Illus. Page 19-65

STEERING

ITEM	PART NUMBER	QTY	BODY	MODEL	DESCRIPTION
HOSE & ATTACHING PARTS PWR. STRG. 24 RWD - CONQUEST					
1	MB12 2061	1			CLIP
2	MB07 6994	1			DAMPER
3	MB26 6263	1			CLAMP
4	MB31 5944	1			HOSE, Pressure
5	MS66 0166	3			CLIP, Hose (15.5)
6	MS24 0141	2			BOLT, w/Washer (6x20)
7	MS66 0168	2			CLIP, Hose (17.8)
8	MB31 5950	1			HOSE, Suction
9	MB12 2618	1			CLAMP, Return Hose
10	MB35 1534	1			HOSE, Return
11	MB35 1529	1			HOSE, Return
12	MS24 0089	1			BOLT, w/Washer,(10x20)
13	MB16 6375	1			BRACKET, Tube
14	MB35 1523	1			BRACKET, Cooler Tube
15	MB50 1575	1			TUBE, Cooler
16	MB31 5039	1			CLIP, Tube
17	MS24 0139	1			BOLT, w/Washer (8x16)
18	MB12 0731	1			BOLT, (10X20) (1987)
	MS24 0129	1			(10x25) (1988)
19	MS24 0139	1			BOLT, w/Washer (8X20)
20	MB24 3269	1			CLIP, Return Hose
21	MB50 1595	1			BRACKET, Cooler Tube

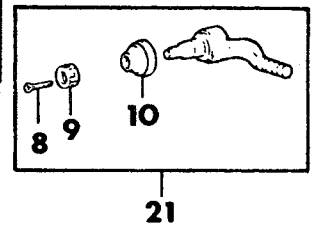
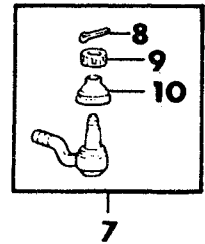
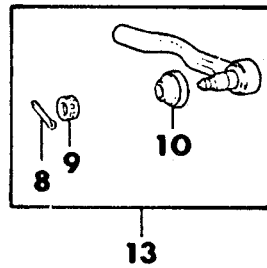
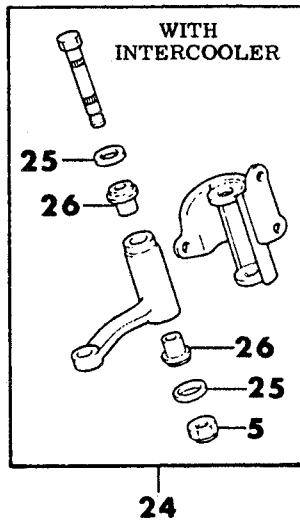
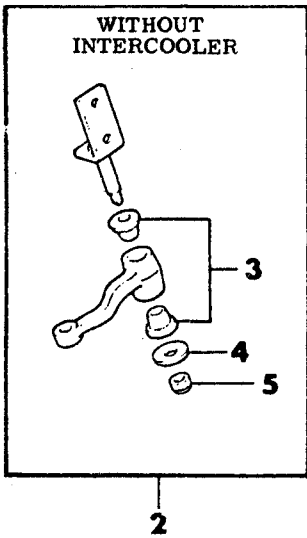
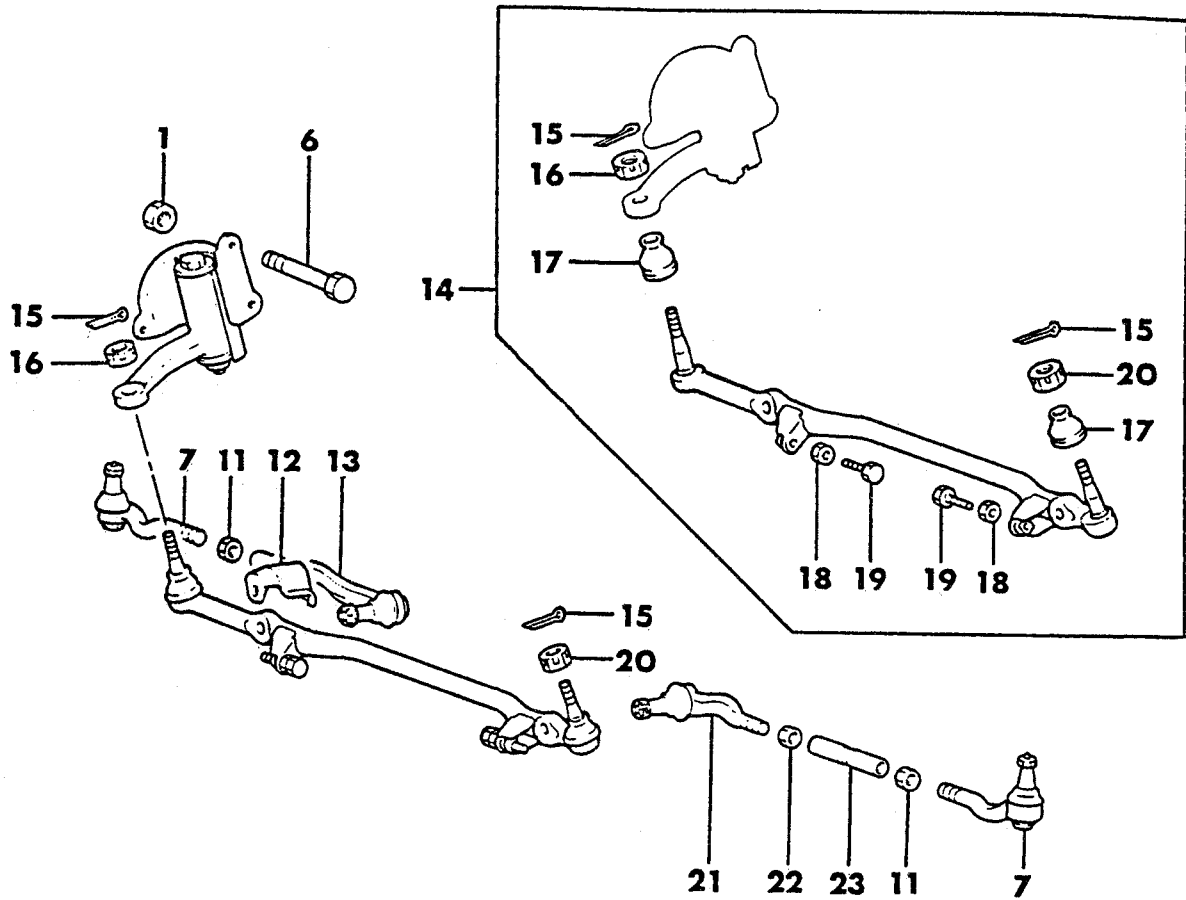
ENGINE:	Q=1500 cc	A=2000 cc	TRANS:	A=Automatic	4=4-Speed Manual
Blank=All	K=1600 cc (w/o Balance Shaft)	F=2600 cc (Car)	Blank=All	M=All Manual	5=5-Speed Manual
	W=2600 cc (Truck)				8=4 x 2 Manual

SERIES:	H=High	MODELS:	24 FWD=2-Dr Hatchback (Colt)	27 RWD-4WD=Pickup (Ram 50, Power Ram 50)
L=Low	P=Premium		24 RWD=2-Dr Hatchback (Conquest)	45 FWD=4-Dr Station Wagon (Colt)
M=Medium	S=Special		41 FWD=4-Dr Sedan (Colt & Eagle Vista)	45 FWD-4WD=Station Wagon (Vista)

AR=Use as Required # =New Part Number - =Non Illustrated Part Printed in U.S.A. FEBRUARY, 1989

7719 3100

LINKAGE STEERING
 24 RWD - CONQUEST



1987-88 IMPORT PARTS CATALOG

Figure 19-3100
Illus. Page 19-73

STEERING

ITEM	PART NUMBER	QTY	BODY	MODEL	DESCRIPTION
LINKAGE STEERING 24 RWD - CONQUEST					
1	MS44 0002	3			NUT, Lock (10)
2	MB16 6906	1			ARM, Idler
3	MB19 2278	2			BUSHING, Idler Arm
4	MA12 3128	1			WASHER
5	MF44 5243	1			NUT, Lock (12)
6	MA18 0199	3			BOLT, (10X85)
7	MB16 6982	2			END, Tie Rod Outer
	MB41 2926	2			w/Intercooler
8	MF47 2054	4			PIN, Split (2.5X25)
9	MB12 2128	4			NUT, Slotted
10	MA15 1855	4			COVER, Dust Tie Rod End
11	MA15 9987	2			NUT, Tie Rod
12	MB16 6930	1			PROTECTOR, Heat Tie Rod Joint
13	MB16 6981	1			END, Tie Rod Inner Rt. ~
14	MB48 9447	1			RELAY ROD PACKAGE
15	MF47 2054	2			PIN, Split (2.5X25)
16	MB19 2561	1			NUT, Slotted
17	MB07 6000	2			COVER, Dust
18	MF43 0726	2			NUT, Jam (10)
19	MU10 3001	2			BOLT, Stopper (10)
20	MB12 2128	1			NUT, Slotted
21	MB16 6980	1			END, Tie Rod Inner Lt. ~
22	MB30 3958	1			NUT, (14)
23	MB10 9857	1			ROD, Tie
24	MB34 7485	1			ARM, Idler w/Intercooler
25	MB34 7490	2			SEAL, Oil w/Intercooler
26	MB34 7489	2			BEARING, Idler Arm w/Intercooler

ENGINE:	Q=1500 cc	A=2000 cc	TRANS:	A=Automatic	4=4-Speed Manual
Blank=All	K=1600 cc (w/o Balance Shaft)	F=2600 cc (Car)	Blank=All	M=All Manual	5=5-Speed Manual
	W=2600 cc (Truck)				8=4 x 2 Manual

SERIES:	H=High	MODELS:	24 FWD=2-Dr Hatchback (Colt)	27 RWD-4WD=Pickup (Ram 50, Power Ram 50)
L=Low	P=Premium		24 RWD=2-Dr Hatchback (Conquest)	27 4WD=Sport Utility (Raider)
M=Medium	S=Special		41 FWD=4-Dr Sedan (Colt & Eagle Vista)	45 FWD=4-Dr Station Wagon (Colt)
				45 FWD-4WD=Station Wagon (Vista)

AR=Use as Required # =New Part Number - =Non Illustrated Part Printed in U.S.A. FEBRUARY, 1989