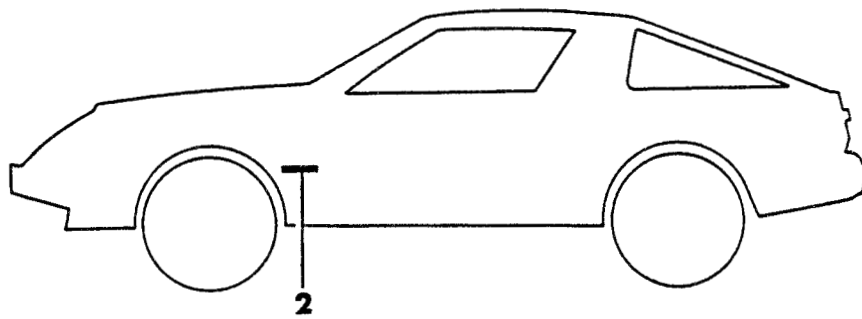
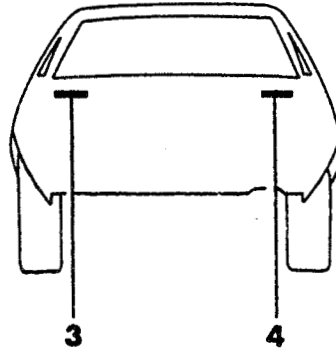
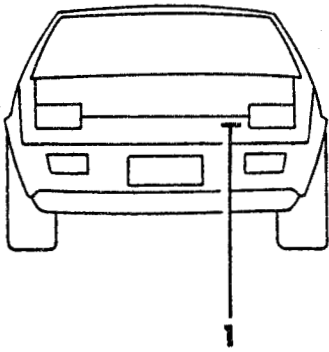


7788 500

NAMEPLATES - EXTERIOR VIEWS
24, CONQUEST
1987 MODEL



CONQUEST

1

TECHNICA

2

CONQUEST
IMPORTED FOR PLYMOUTH

4

CONQUEST
IMPORTED FOR DODGE

4

CONQUEST
IMPORTED FOR CHRYSLER

4

TURBO

3

1987-88 IMPORT PARTS CATALOG

BODY - EXTERIOR
ORNAMENTATION

Figure 23-500
Illus. Page 23-17

ITEM	PART NUMBER	QTY	BODY	MODEL	DESCRIPTION
------	-------------	-----	------	-------	-------------

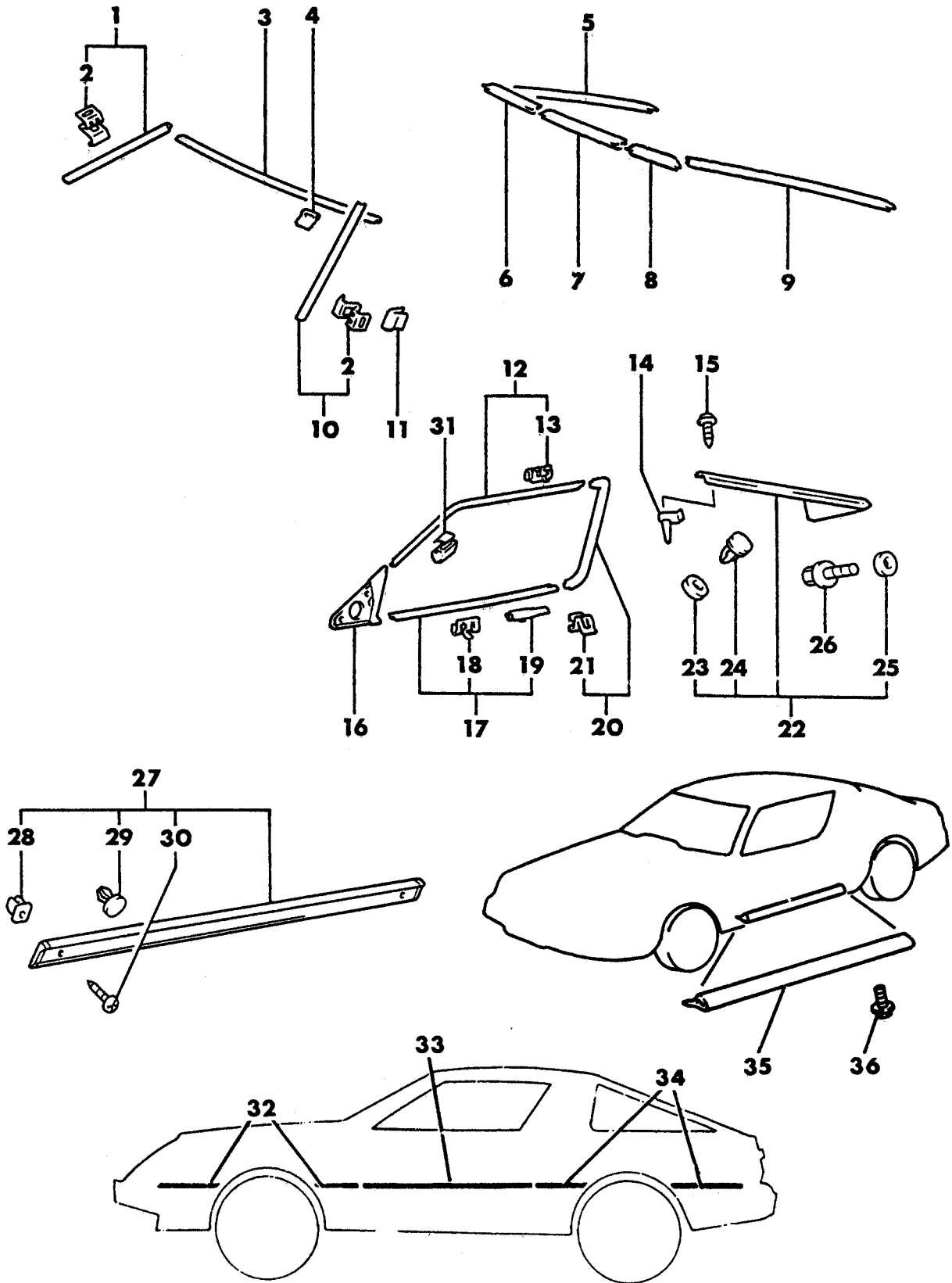
NAMEPLATES - EXTERIOR VIEWS
24, CONQUEST
1987 MODEL

1	MB39 5729	1			NAMEPLATE, Hood, "CONQUEST"
2	MB19 9315	1			NAMEPLATE, "TECHNICA"
3	MB36 1217	1			NAMEPLATE, "TURBO"
4	MB55 0392	1			NAMEPLATE, "CONQUEST IMPORTED FOR CHRYSLER"
	MB36 1216	1			NAMEPLATE, "CONQUEST IMPORTED FOR PLYMOUTH"
	MB36 1215	1			NAMEPLATE, "CONQUEST IMPORTED FOR DODGE"

ENGINE:	Q=1500 cc	A=2000 cc	TRANS:	A=Automatic	4=4-Speed Manual
Blank=All	K=1600 cc (w/o Balance Shaft)	F=2600 cc (Car)	Blank=All	M=All Manual	5=5-Speed Manual
	W=2600 cc (Truck)				8=4 x 2 Manual
SERIES:	H=High	MODELS: 24 FWD=2-Dr Hatchback (Colt)	27 RWD-4WD=Pickup (Ram 50, Power Ram 50)		
L=Low	P=Premium	24 RWD=2-Dr Hatchback (Conquest)	27 4WD=Sport Utility (Raider)	45 FWD=4-Dr Station Wagon (Colt)	
M=Medium	S=Special	41 FWD=4-Dr Sedan (Colt & Eagle Vista)		45 FWD-4WD=Station Wagon (Vista)	
AR=Use as Required	# = New Part Number	-- = Non Illustrated Part		Printed in U.S.A.	FEBRUARY, 1989

MOULDINGS - EXTERIOR VIEW
24, CONQUEST

7768 600



1987-88 IMPORT PARTS CATALOG

BODY - EXTERIOR
ORNAMENTATION

Figure 23-600
Illus. Page 23-19

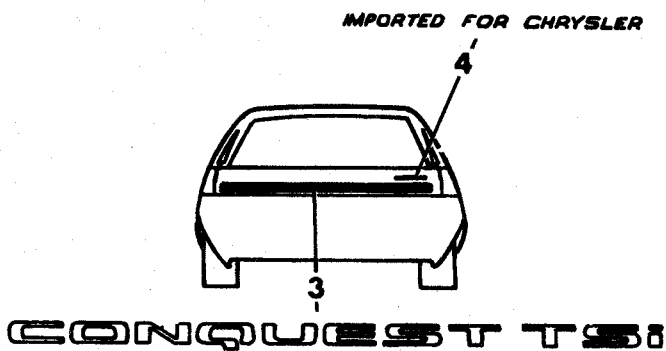
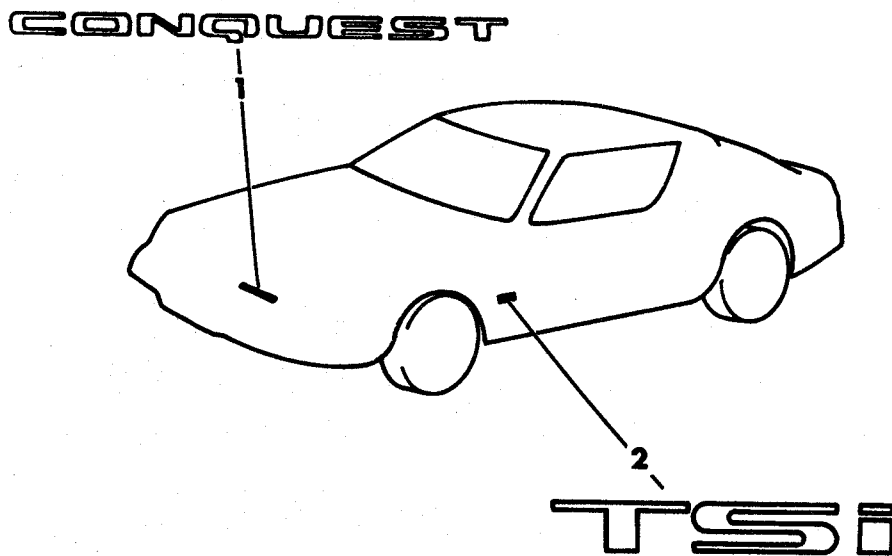
ITEM	PART NUMBER	QTY	BODY	MODEL	DESCRIPTION
MOULDINGS - EXTERIOR VIEW 24, CONQUEST					
1	MB19 8976	1			MOULDING, W/Shield Side, Rt.
2	MB19 8555	6			RETAINER, Mldg.
3	MB19 8974	1			MOULDING, W/Shield Upr.
4	MB19 8536	6			CLIP, W/Shield
5	MB22 7132	1			MOULDING, T/Gate Wdo. Side, Rt.
6	MB22 7130	1			MOULDING, T/Gate Wdo. Upr., Rt.
7	MB22 7128	1			MOULDING, T/Gate Wdo. Upr., Center
8	MB22 7129	1			MOULDING, T/Gate Wdo. Upr., Lt.
9	MB22 7131	1			MOULDING, T/Gate Wdo. Side, Lt.
10	MB19 8975	1			MOULDING, W/Shield Side, Lt.
11	MB19 8556	6			RETAINER, W/Shield Side Mldg.
12	MB22 7081	1			MOULDING, Frt. Door Drip, Lt.
	MB22 7082	1			Rt.
13	MB17 7390	10			CLIP, Door Mldg.
14	MB10 6586	4			GROMMET
15	MB08 2944	4			SCREW, Tapping Low Head (4x16), 1987
	MU24 0050	4			SCREW, Tapping Low Head (4x16), 1988
16	MB17 7595	1			WEATHERSTRIP, Frt. Corner, Lt.
	MB17 7596	1			Rt.
17	MB22 7065	1			MOULDING, Frt. Door Belt, Lt.
	MB22 7066	1			Rt.
18	MB13 4239	6			CLIP
19	MB25 7913	1			CLIP, Lt.
	MB25 7914	1			Rt.
20	MB17 7407	1			MOULDING, Door Wdo. Rear Sash, Lt.
	MB17 7408	1			Rt.
21	MB22 7137	4			CLIP, Rear Sash Mldg.
22	MB10 6983	1			MOULDING, Qtr. Wdo., Lt.
	MB10 6984	1			Rt.
23	MB26 3171	6			PACKING
24	MB10 6585	6			CLIP, Trim
25	MB10 6587	2			PACKING
26	MF14 0201	2			BOLT, Flange (6x8)
27	MB18 5369	1			MOULDING, Kit Skirt, 1987
28	MS48 0002	4			GROMMET, Screw, 1987
29	MB11 7933	8			CLIP, Mldg., 1987
30	MS45 0066	4			SCREW, Tapping (5x16), 1987
31	MB22 7083	2			CATCH, Door Glass
32	4339 106-7	1			MOULDING PACKAGE, Fndr. Frt. and Rear, Black, 1987
33	4308 282-3	1			MOULDING, Door, Black, 1987
34	4339 112-3	1			MOULDING PACKAGE, Qtr. Pnl. Frt. and Rear, Black, 1987
35	MB50 6094	2			MOULDING, Side Sill Panel (Turbo Sport Intercooler)
36	MS10 0223	AR			BOLT, Flange

ENGINE:	Q=1500 cc	A=2000 cc	TRANS:	A=Automatic	4=4-Speed Manual
Blank=All	K=1600 cc (w/o Balance Shaft)	F=2600 cc (Car)	Blank=All	M=All Manual	5=5-Speed Manual
	W=2600 cc (Truck)				8=4 x 2 Manual
SERIES:	H=High	MODELS:	24 FWD=2-Dr Hatchback (Colt)	27 RWD-4WD=Pickup (Ram 50, Power Ram 50)	
L=Low	P=Premium		24 RWD=2-Dr Hatchback (Conquest)	27 4WD=Sport Utility (Raider)	45 FWD=4-Dr Station Wagon (Colt)
M=Medium	S=Special		41 FWD=4-Dr Sedan (Colt & Eagle Vista)		45 FWD-4WD=Station Wagon (Vista)
AR=Use as Required	#=New Part Number	-=Non Illustrated Part		Printed in U.S.A.	FEBRUARY, 1989

NOT FOR RESALE - UNKNOWN SOURCE - DOWNLOADED FOR FREE FROM: WWW.STARQUESTGARAGE.COM

TAPE STRIPES AND DECALS - EXTERIOR VIEW
24, CONQUEST

7768 700



1987-88 IMPORT PARTS CATALOG

BODY - EXTERIOR
ORNAMENTATION

Figure 23-700
Illus. Page 23-21

ITEM	PART NUMBER	QTY	BODY	MODEL	DESCRIPTION
------	-------------	-----	------	-------	-------------

TAPE STRIPES AND DECALS - EXTERIOR VIEW
24, CONQUEST

1	4441 071	1			DECAL, Hood Pnl., "CONQUEST", Med. Gray
	4441 076	1			Orange
	4441 080	1			Med. Gold
	4441 084	1			Mist Gray
	4441 472	1			Black, 1988
	4441 088	1			Light Blue
	4441 476	1			Silver, 1988
2	4441 072	2			DECAL, Fndr., "TSI", Med. Gray
	4441 077	2			Orange
	4441 081	2			Med. Gold
	4441 085	2			Mist Gray
	4441 089	2			Light Blue
	4441 473	2			Black, 1988
	4441 477	1			Silver, 1988
3	4441 073	1			DECAL, L/Gate, "CONQUEST TSI", Med. Gray
	4441 078	1			Orange
	4441 082	1			Med. Gold
	4441 086	1			Mist Gray
	4441 090	1			Light Blue
	4441 475	1			Black, 1988
	4441 479	1			Silver, 1988
4	4441 074	1			DECAL, L/Gate, "IMPORT FOR CHRYSLER", Med. Gray
	4441 079	1			Orange
	4441 083	1			Med. Gold
	4441 087	1			Mist Gray
	4441 091	1			Light Blue
	4441 474	1			Black, 1988
	4441 478	1			Silver, 1988

ENGINE:	Q=1500 cc	A=2000 cc	TRANS:	A=Automatic	4=4-Speed Manual
Blank=All	K=1600 cc (w/o Balance Shaft)	F=2600 cc (Car)	Blank=All	M=All Manual	5=5-Speed Manual
	W=2600 cc (Truck)				8=4 x 2 Manual
SERIES:	H=High	MODELS: 24 FWD=2-Dr Hatchback (Colt)	27 RWD-4WD=Pickup (Ram 50, Power Ram 50)		
L=Low	P=Premium	24 RWD=2-Dr Hatchback (Conquest)	27 4WD=Sport Utility (Raider)	45 FWD=4-Dr Station Wagon (Colt)	
M=Medium	S=Special	41 FWD=4-Dr Sedan (Colt & Eagle Vista)		45 FWD-4WD=Station Wagon (Vista)	
AR=Use as Required	# =New Part Number	--Non Illustrated Part		Printed in U.S.A.	FEBRUARY, 1989