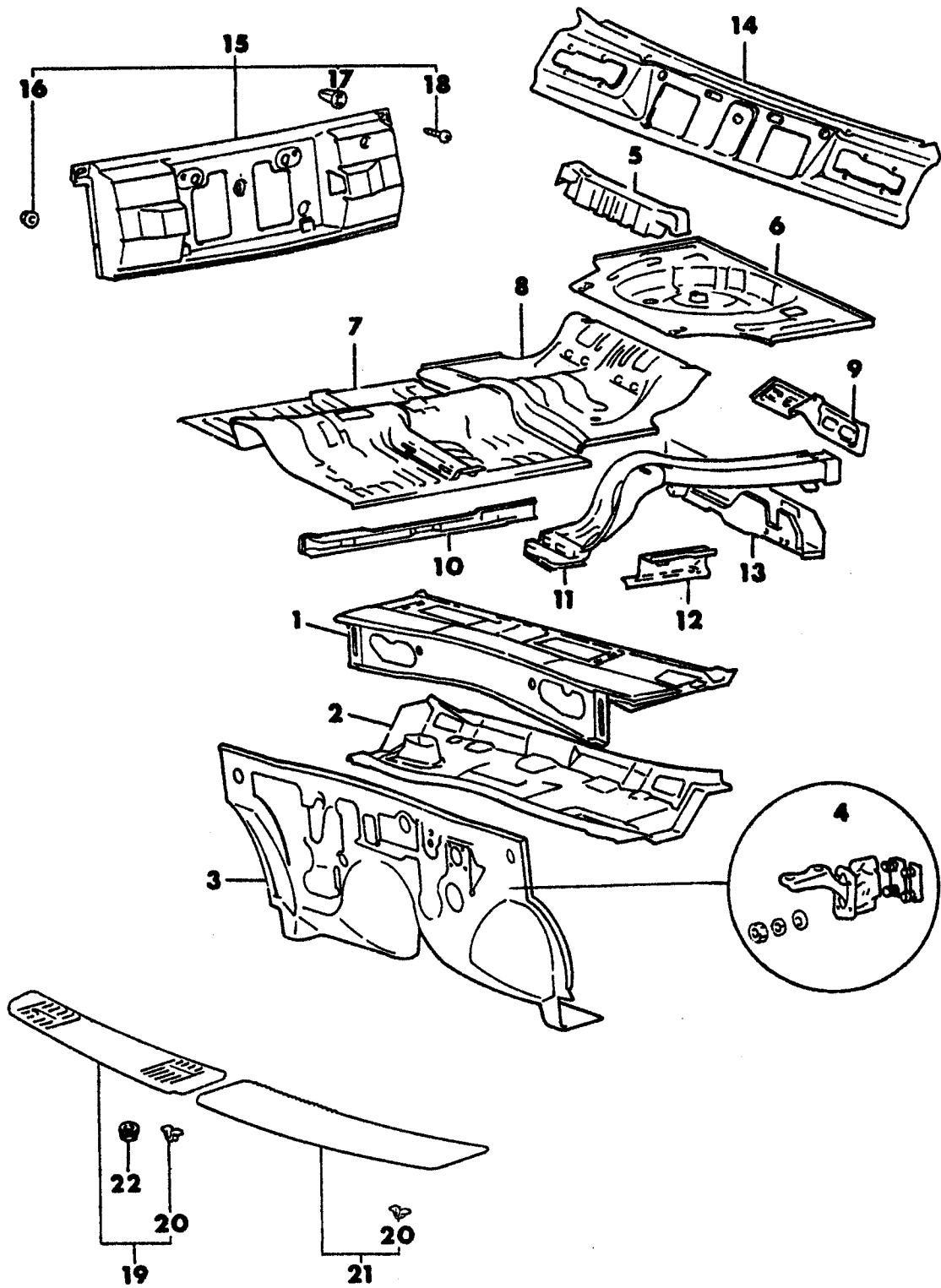


7788 1400A

FLOOR PAN AND DASH PANEL
24 RWD CONQUEST



1987-88 IMPORT PARTS CATALOG

BODY - SHEET METAL
EXCEPT DOORS

Figure 23A-1400
illus. Page 23A-47

ITEM	PART NUMBER	QTY	BODY	MODEL	DESCRIPTION
------	-------------	-----	------	-------	-------------

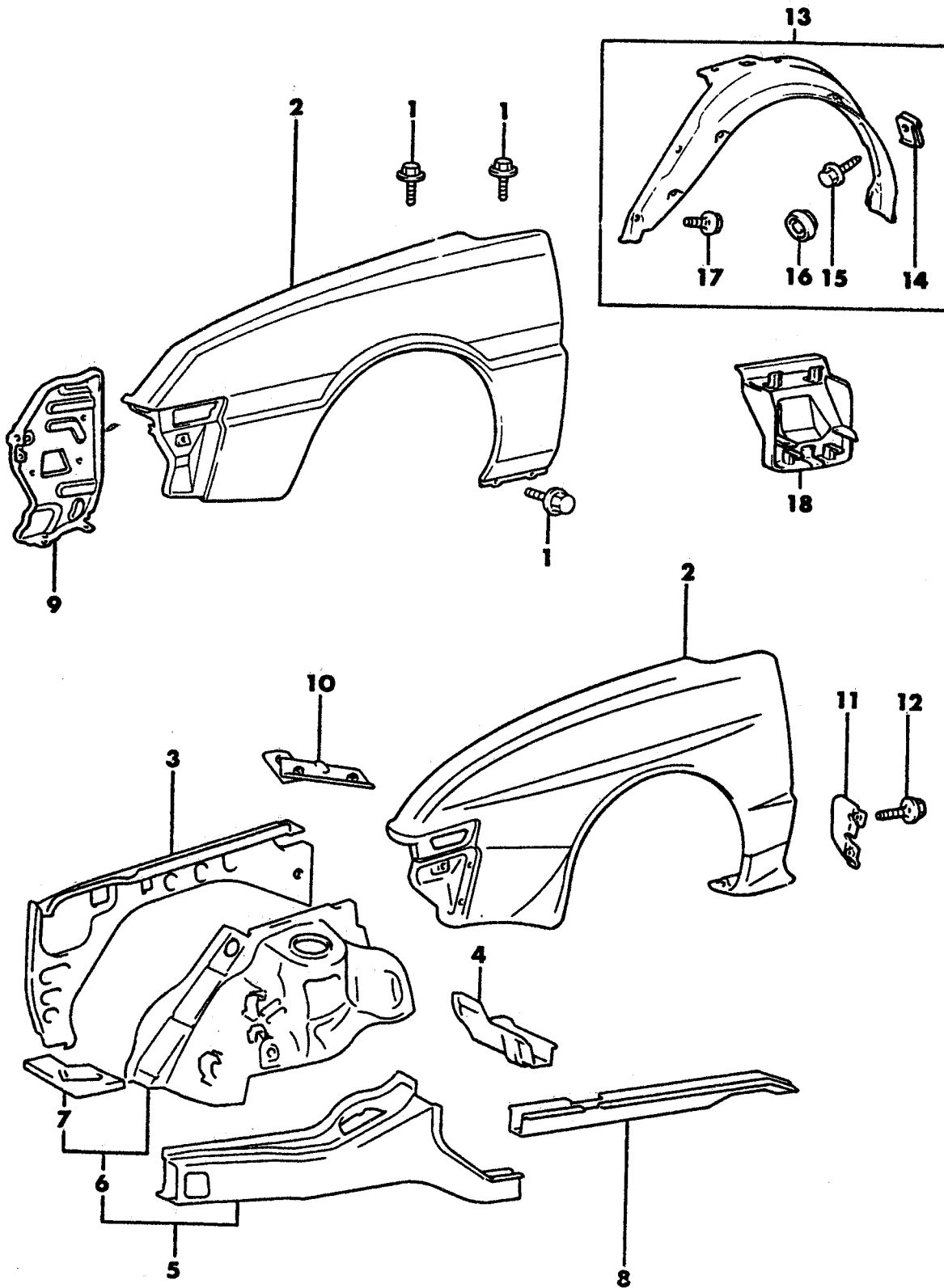
FLOOR PAN AND DASH PANEL
24 RWD CONQUEST

1	MB50 6218	1			DECK, Outer Front
2		1			PANEL, Cowl Top Inner Not Serviced
3		1			PANEL, Dash Not Serviced
4					HOOD HINGE PACKAGE
	MB02 1259	1			Left
	MB02 1280	1			Right
5	MB50 6197	1			CROSSMEMBER, Rear Floor
6	MB23 3375	1			PANEL, Rear Floor
7		1			PANEL, Front Floor Not Serviced
8		1			PANEL, Rear Seat Not Serviced
9	MB23 3382	1			REINFORCEMENT, Rear Seat Belt
10					SILL, Side Inner
	MB50 6591	1			Left
	MB50 6592	1			Right
11					SIDEMEMBER, Rear Floor
	MB50 6199	1			Left
	MB50 6200	1			Right
12					SILL, Side Rear Floor Inner
	MB23 3383	1			Left
	MB23 3384	1			Right
13	MB50 6198	1			CROSSMEMBER, Rear End
14	MB23 3473	1			PANEL, Rear End
15	MB24 1805	1			GARNISH, Kit Rear End (Black)
16	MS44 0522	2			NUT and WASHER
17	MB06 1997	2			GROMMET
18	MF45 3093	2			SCREW
19	MB17 4261	1			GARNISH, Front Deck Rt.
20	MB15 3819	8			CLIP
21	MB17 4260	1			GARNISH, Front Deck Lt.
22	MB15 3448	AR			CLIP

ENGINE:	Q=1500 cc	A=2000 cc	TRANS:	A=Automatic	4=4-Speed Manual
Blank=All	K=1600 cc (w/o Balance Shaft)	F=2600 cc (Car)	Blank=All	M=All Manual	5=5-Speed Manual
	W=2600 cc (Truck)				8=4 x 2 Manual
SERIES:	H=High	MODELS: 24 FWD=2-Dr Hatchback (Colt)		27 RWD-4WD=Pickup (Ram 50, Power Ram 50)	
L=Low	P=Premium	24 RWD=2-Dr Hatchback (Conquest)		27 4WD=Sport Utility (Raider) 45 FWD=4-Dr Station Wagon (Colt)	
M=Medium	S=Special	41 FWD=4-Dr Sedan (Colt & Eagle Vista)		45 FWD-4WD=Station Wagon (Vista)	
AR=Use as Required	# =New Part Number	-- =Non Illustrated Part		Printed in U.S.A.	FEBRUARY, 1989

7789 1500 A

FENDER
24 RWD CONQUEST



1987-88 IMPORT PARTS CATALOG

BODY - SHEET METAL
EXCEPT DOORS

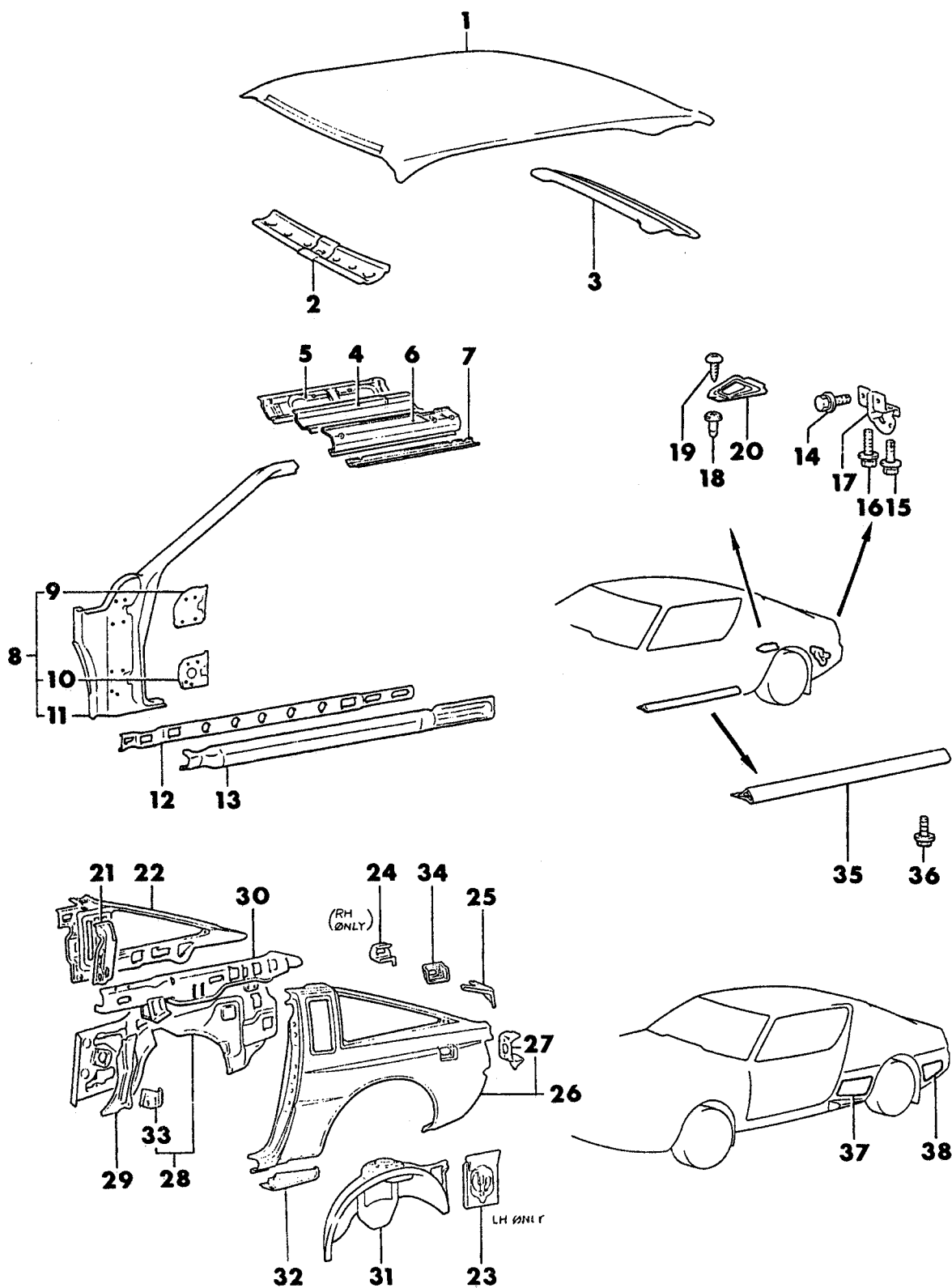
Figure 23A-1500
Illus. Page 23A-49

ITEM	PART NUMBER	QTY	BODY	MODEL	DESCRIPTION
FENDER					
24 RWD CONQUEST					
1	MS10 0223	16			BOLT, Flange
2					PANEL, Front Fender
	MB29 6005	1			Left w/o Turbo Intercooler
	MB29 6004	1			Right w/o Turbo Intercooler
	MB50 6254	1			Right w/Turbo Intercooler
	MB50 6253	1			Left w/Turbo Intercooler
3					WHEELHOUSE, Outer
	MB23 3401	1			Left
	MB23 3403	1			Right
4					BRACE, Front Frame
	MB19 5420	1			Left
	MB19 5421	1			Right
5					SHIELD, Fender
	MB50 6201	1			Left w/w/o Turbo Intercooler 1987 & 1988
	MB50 6202	1			Right w/o Turbo Intercooler
	MB50 6203	1			Right w/Turbo Intercooler 1987
	MB54 9306	1			Right w/Turbo Intercooler 1988
6					WHEELHOUSE, Inner
	MB50 6207	1			Right w/Turbo Intercooler
	MB50 6205	1			Left w/Turbo Intercooler
7					PLATE, Shield
	MB23 3413	1			Left
	MB23 3414	1			Right
8					SIDEMEMBER, Front Rear
	MB19 5792	1			Left
	MB23 3398	1			Right
9					PLATE, Fender Support
	MB23 3419	1			Left
	MB23 3418	1			Right
10					STAY, Front Fender
	MB50 6256	1			Right w/Turbo Intercooler
	MB50 6255	1			Left w/Turbo Intercooler
11					GUSSET, Front Fender
	MB40 8741	1			Left
	MB40 8742	1			Right
12	MS10 0242	4			BOLT
13					SHIELD, Splash
	MB52 7451	1			Left w/o Turbo Intercooler
	MB52 7452	1			Right w/o Turbo Intercooler
	MB52 7453	1			Left w/Turbo Intercooler
	MB52 7454	1			Right w/Turbo Intercooler
14	MB13 8567	8			GROMMET
15	MS45 2348	8			SCREW, 6 x 20
16	MS66 0185	2			PLUG
17	MS10 0223	18			SCREW
18	MB55 1635	2			COVER, Fender Shield

ENGINE:	Q=1500 cc	A=2000 cc	TRANS:	A=Automatic	4=4-Speed Manual
Blank=All	K=1600 cc (w/o Balance Shaft)	F=2600 cc (Car)	Blank=All	M=All Manual	5=5-Speed Manual
	W=2600 cc (Truck)				8=4 x 2 Manual
SERIES:	H=High	MODELS: 24 FWD=2-Dr Hatchback (Colt) 27 RWD-4WD=Pickup (Ram 50, Power Ram 50)		45 FWD=4-Dr Station Wagon (Colt)	
L=Low	P=Premium	24 RWD=2-Dr Hatchback (Conquest) 27 4WD=Sport Utility (Raider)		5=5-Speed Manual	
M=Medium	S=Special	41 FWD=4-Dr Sedan (Colt & Eagle Vista)		45 FWD-4WD=Station Wagon (Vista)	
AR=Use as Required	#=New Part Number	--=Non Illustrated Part		Printed in U.S.A.	FEBRUARY, 1989

7789 1806

ROOF AND FRONT PILLAR
24 RWD CONQUEST



1987-88 IMPORT PARTS CATALOG

BODY - SHEET METAL
EXCEPT DOORS

Figure 23A-1600
Illus. Page 23A-51

ITEM	PART NUMBER	QTY	BODY	MODEL	DESCRIPTION
ROOF AND FRONT PILLAR 24 RWD CONQUEST					
1					PANEL, Roof
	MB23 3467	1			w/o Sunroof
	MB23 3468	1			w/Sunroof
2	MB23 3470	1			RAIL, Roof Front
3	MB23 3469	1			RAIL, Roof Rear
4					REINFORCEMENT, Side Inner
	MB54 9255	1			Left
	MB54 9256	1			Right
5					RAIL, Roof Side Inner
	MB54 9253	1			Left
	MB54 9254	1			Right
6					RAIL, Roof Side Outer
	MB23 3435	1			Left
	MB23 3436	1			Right
7					CHANNEL, Roof Drip
	MB23 3431	1			Left
	MB23 3432	1			Right
8					PILLAR, Front
	MB50 6595	1			Left
	MB50 6596	1			Right
9					REINFORCEMENT, Front Pillar Hinge Upper
	MB23 3425	1			Left
	MB23 3426	1			Right
10					REINFORCEMENT, Front Pillar Hinge Lower
	MB23 3427	1			Left
	MB23 3428	1			Right
11					PILLAR, Front Outer
	MB50 6213	1			Left
	MB50 6214	1			Right
12					REINFORCEMENT, Side Sill
	MB23 3439	1			Left
	MB23 3440	1			Right
13					SILL, Front Floor Side Outer
	MB23 3437	1			Left w/o Turbo Intercooler
	MB50 6215	1			Left w/Turbo Intercooler
	MB23 3438	1			Right w/o Turbo Intercooler
	MB23 3216	1			Right w/Turbo Intercooler
		1			MOULDING, Side Sill Panel (See Ornamentation illus.) w/Turbo Intercooler
14	MB12 0731	2			BOLT, 10 x 30
15	MB12 0731	2			BOLT, 10 x 30
16	MB29 6029	1			BOLT, 10 x 32
17					HOOK, Towing Rear
	MB23 3026	1			Left
	MB29 6360	1			Right
18	MS48 0013	1			GROMMET, Screw
19	MF45 3047	1			SCREW, Tapping
20	MB15 9408	1			PANEL, Check Cover
21					REINFORCEMENT, Quarter Pillar
	MB23 3451	1			Left
	MB23 3452	1			Right

ENGINE:	Q=1500 cc	A=2000 cc	TRANS:	A=Automatic	4=4-Speed Manual
Blank=All	K=1600 cc (w/o Balance Shaft)	F=2600 cc (Car)	Blank=All	M=All Manual	5=5-Speed Manual
	W=2600 cc (Truck)				8=4 x 2 Manual
SERIES:	H=High	MODELS:	24 FWD=2-Dr Hatchback (Colt)	27 RWD-4WD=Pickup (Ram 50, Power Ram 50)	
L=Low	P=Premium		24 RWD=2-Dr Hatchback (Conquest)	27 4WD=Sport Utility (Raider)	45 FWD=4-Dr Station Wagon (Colt)
M=Medium	S=Special		41 FWD=4-Dr Sedan (Colt & Eagle Vista)		45 FWD-4WD=Station Wagon (Vista)
AR=Use as Required		#=New Part Number	-=Non Illustrated Part	Printed in U.S.A.	FEBRUARY, 1989

1987-88 IMPORT PARTS CATALOG

Figure 23A-1600
 Illus. Page 23A-52

BODY - SHEET METAL
 EXCEPT DOORS

ITEM	PART NUMBER	QTY	BODY	MODEL	DESCRIPTION
ROOF AND FRONT PILLAR 24 RWD CONQUEST					
22					PANEL, Quarter Inner Upper
	MB54 9262	1			Right
	MB54 9261	1			Left
23	MB23 3455	1			SHIELD PLATE, Rear Wheelhouse Inner Lt.
24	MB23 3456	1			BRACKET, Jack Support
25					PANEL, Corner
	MB40 6971	1			Left
	MB40 6972	1			Right
26					PANEL, Quarter Outer
	MB40 6965	1			Left w/o Turbo Intercooler
	MB40 6967	1			Left w/Turbo Intercooler
	MB40 6966	1			Right w/o Turbo Intercooler
	MB40 6968	1			Right w/Turbo Intercooler
27					HOUSING, Lamp
	MB23 3459	1			Left
	MB23 3460	1			Right
28					PANEL, Quarter Inner Lower
	MB54 9257	1			Left w/o Turbo Intercooler
	MB54 9258	1			Right w/o Turbo Intercooler
	MB54 9259	1			Left w/Turbo Intercooler
	MB54 9260	1			Right w/Turbo Intercooler
29					PILLAR, Center Lower
	MB23 3453	1			Left
	MB23 3454	1			Right
30					REINFORCEMENT, Quarter Panel
	MB23 3449	1			Left w/o Turbo Intercooler
	MB50 6225	1			Left w/Turbo Intercooler
	MB23 3450	1			Right w/o Turbo Intercooler
	MB50 6226	1			Right w/Turbo Intercooler
31					WHEELHOUSE, Rear
	MB23 3443	1			Left
	MB23 3444	1			Right
32					PANEL, Quarter Outer Lower
	MB40 6970	1			Right w/Turbo Intercooler
	MB40 6969	1			Left w/Turbo Intercooler
33					EXTENSION, Quarter Inner Lower
	MB50 6223	1			Left w/Turbo Intercooler
	MB50 6224	1			Right w/Turbo Intercooler
34	MB40 8581	1			BRACKET, Full Filler Neck
35	MB50 6094	2			PANEL, Side Step
36	MS10 0223	AR			Bolt, 6 x 10
37					SHIELD, Protector Front
	MB48 0163	1			Left
	MB48 0164	1			Right
38					SHIELD, Protector Rear
	MB48 0165	1			Left
	MB48 0166	1			Right

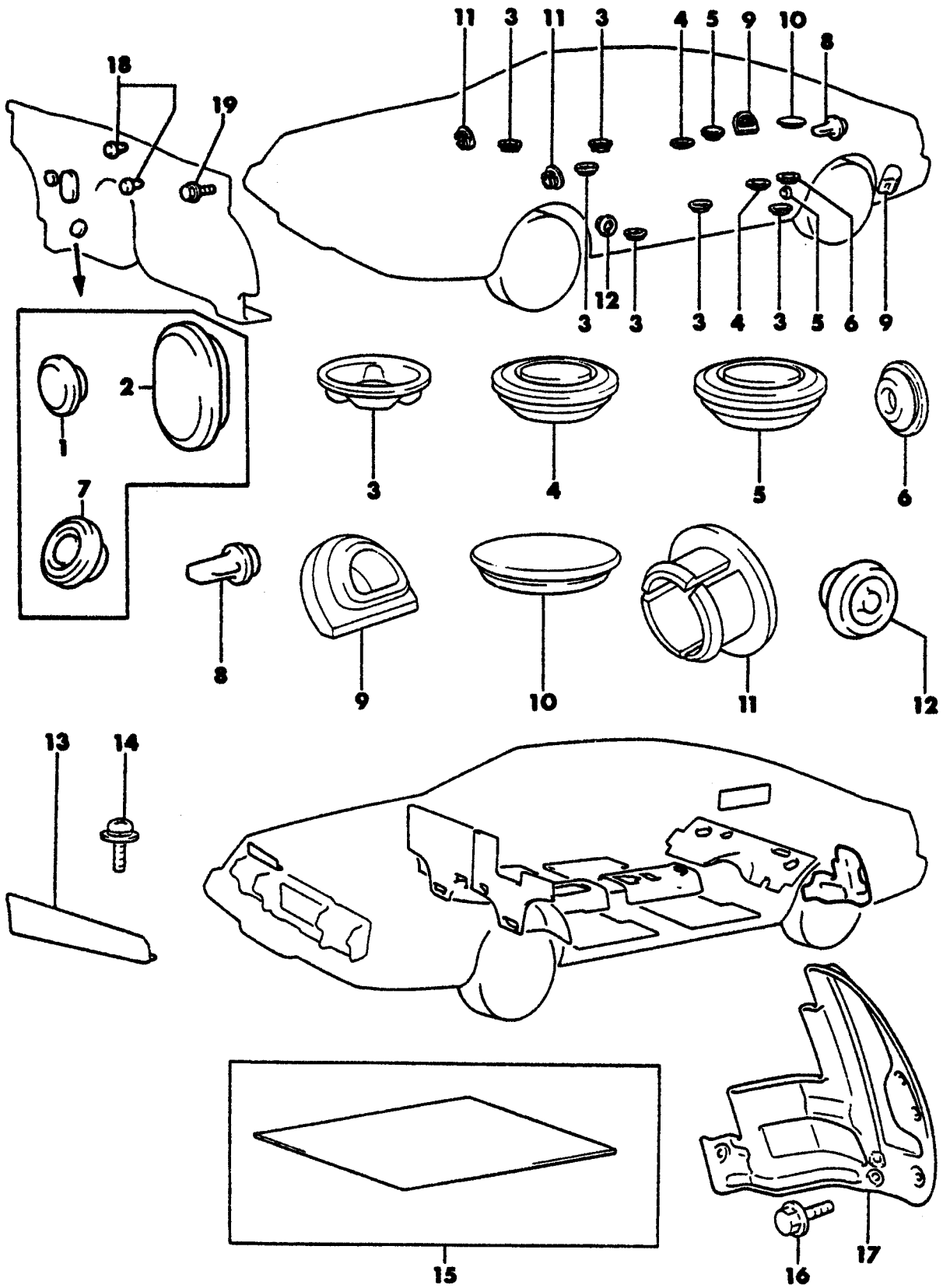
ENGINE:	Q=1500 cc	A=2000 cc	TRANS:	A=Automatic	4=4-Speed Manual
Blank=All	K=1600 cc (w/o Balance Shaft)	F=2600 cc (Car)	Blank=All	M=All Manual	5=5-Speed Manual
	W=2600 cc (Truck)				8=4 x 2 Manual

SERIES:	H=High	MODELS: 24 FWD=2-Dr Hatchback (Colt)	27 RWD-4WD=Pickup (Ram 50, Power Ram 50)
L=Low	P=Premium	24 RWD=2-Dr Hatchback (Conquest)	27 4WD=Sport Utility (Raider) 45 FWD=4-Dr Station Wagon (Colt)
M=Medium	S=Special	41 FWD=4-Dr Sedan (Colt & Eagle Vista)	45 FWD-4WD=Station Wagon (Vista)

AR=Use as Required # =New Part Number - =Non Illustrated Part Printed in U.S.A. FEBRUARY, 1989

7700 1700 A

PLUGS AND SILENCERS
24 RWD CONQUEST



1987-88 IMPORT PARTS CATALOG

BODY - SHEET METAL
EXCEPT DOORS

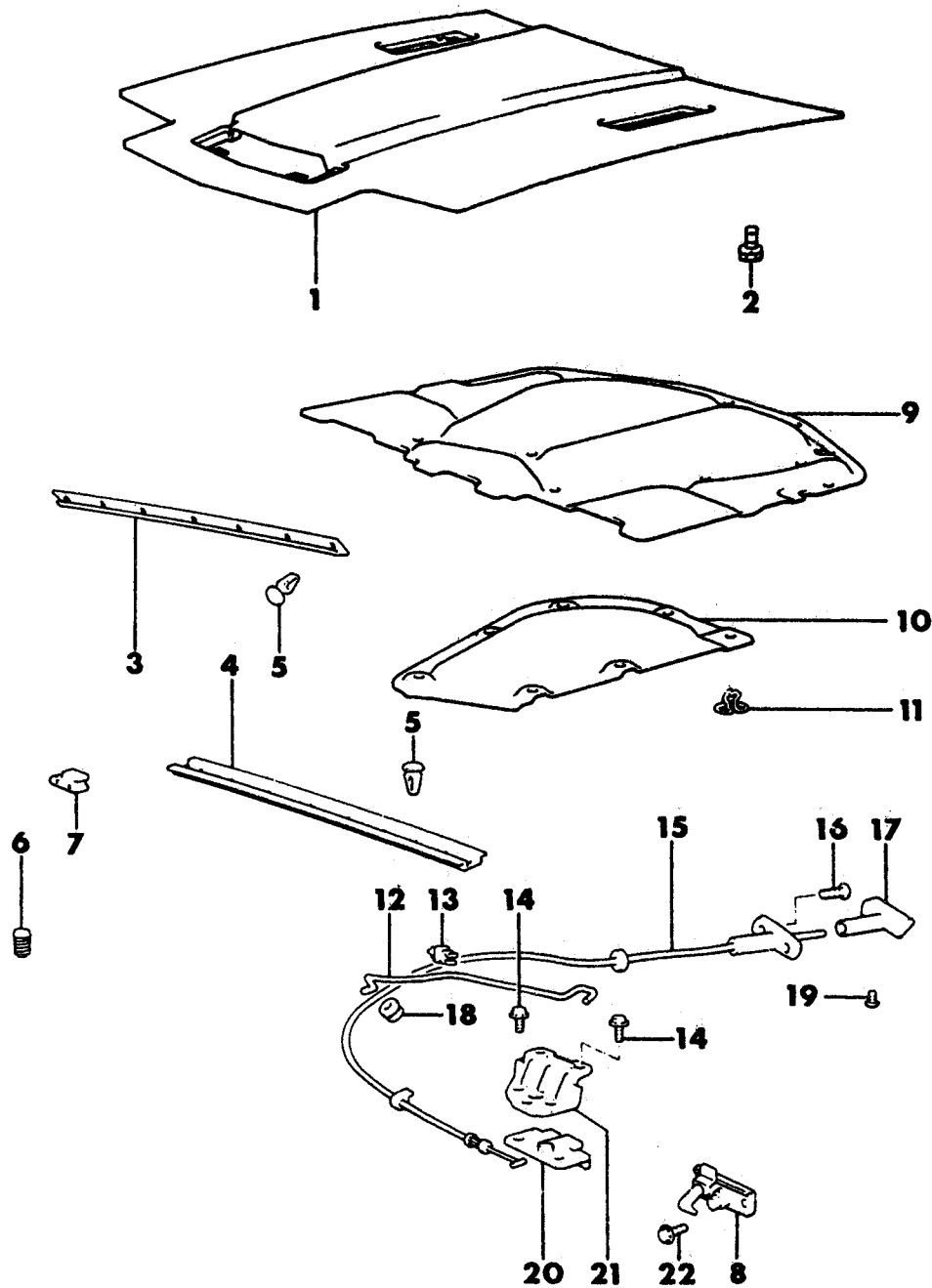
Figure 23A-1700
Illus. Page 23A-55

ITEM	PART NUMBER	QTY	BODY	MODEL	DESCRIPTION
PLUGS AND SILENCERS					
24 RWD CONQUEST					
1	MB12 3623	1			PLUG, Rubber
2	MB27 2166	1			PLUG, Rubber
3	MB15 9920	6			PLUG, Floor
4	MS66 0185	2			PLUG
5	MS66 0184	2			PLUG, (25)
6	MS66 0182	2			PLUG
7	MS66 0183	1			PLUG
8	MB07 8401	2			GROMMET, Screw
9	MB07 1705	2			VALVE, Drain Up To 8-86
	MB40 6988				PLUG, From 9-86
10	MV03 4618	1			PLUG, Floor
11	MS66 0051	2			PLUG
12	MB11 8900	4			PLUG
13					PROTECTOR, Headlamp Hood
	MB23 3258	1			Left
	MB23 3259	1			Right
14	MF35 0767	4			SCREW and WASHER, 5 x 10
15	MB10 4993	AR			SILENCER
16	MS10 0222	3			BOLT, Flange 6 x 14
17	MB15 9852	1			COVER, Fuel Filler Tube
18	MS66 0152	2			PLUG
19	MS10 0223	4			BOLT, Flange 6 x 10

ENGINE:	Q=1500 cc	A=2000 cc	TRANS:	A=Automatic	4=4-Speed Manual
Blank=All	K=1600 cc (w/o Balance Shaft)	F=2600 cc (Car)	Blank=All	M=All Manual	5=5-Speed Manual
	W=2600 cc (Truck)				8=4 x 2 Manual
SERIES:	H=High	MODELS: 24 FWD=2-Dr Hatchback (Colt)		27 RWD-4WD=Pickup (Ram 50, Power Ram 50)	
L=Low	P=Premium	24 RWD=2-Dr Hatchback (Conquest)		27 4WD=Sport Utility (Raider)	
M=Medium	S=Special	41 FWD=4-Dr Sedan (Colt & Eagle Vista)		45 FWD=4-Dr Station Wagon (Colt)	
				45 FWD-4WD=Station Wagon (Vista)	
AR=Use as Required	# = New Part Number	-- = Non Illustrated Part		Printed in U.S.A.	FEBRUARY, 1989

7789 1800

HOOD AND HOOD RELEASE
24 RWD CONQUEST



1987-88 IMPORT PARTS CATALOG

BODY - SHEET METAL
EXCEPT DOORS

Figure 23A-1800
illus. Page 23A-57

ITEM	PART NUMBER	QTY	BODY	MODEL	DESCRIPTION
------	-------------	-----	------	-------	-------------

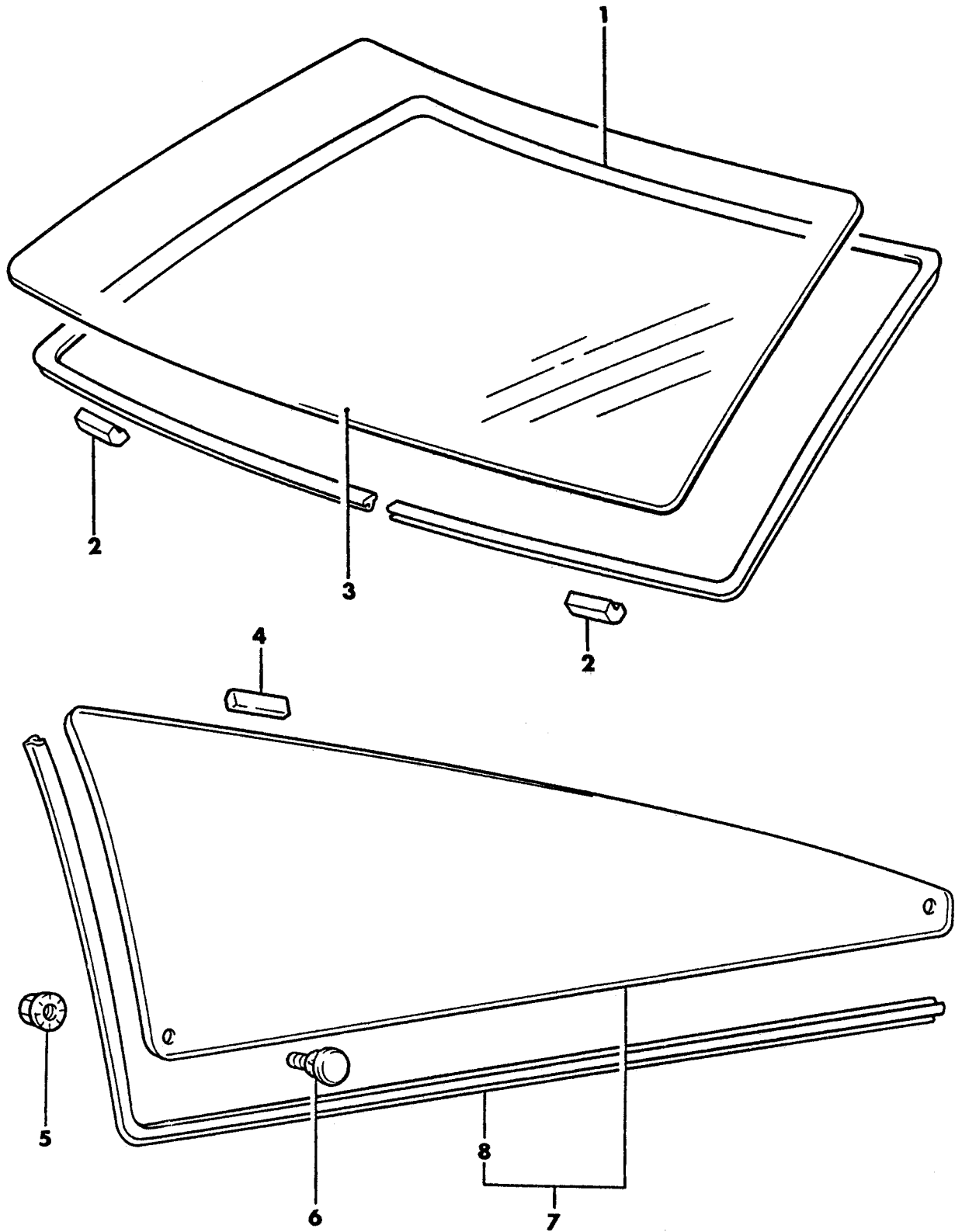
HOOD AND HOOD RELEASE 24 RWD CONQUEST

1	MB27 0527	1			PANEL, Hood
2	MF24 3649	4			BOLT and WASHER
3	MB02 1220	1			WEATHERSTRIP, Hood Front
4	MB02 1217	1			WEATHERSTRIP, Hood Rear
5	MS47 0073	18			CLIP
6	MB02 1320	4			BUMPER
7	MB02 1219	1			DAMPER, Hood Right
8	MB40 1025	1			HOOK, Hood
9	MB27 0391	1			INSULATOR, Hood
10	MB27 0261	1			PROTECTOR, Hood Heat
11	MB27 0053	13			CLIP
12	MB40 1024	1			ROD, Hood Support
13	MU48 1007	1			HOLDER, Stand
14	MU24 0066	5			BOLT and WASHER, 6 x 16
15	MB27 0659	1			CABLE, Hood Lock Release
16	MF45 3047	2			SCREW and WASHER
17					KNOB, Hood Lock Release
	MB70 7700	1			Black
	MB70 7701	1			Red
18	MB02 0667	1			GROMMET, Hood Support Rod
19		1			SCREW, Machine Not Serviced
20	MB40 1023	1			LOCK, Hood
21	MB02 1275	1			PLATE, Hood Lock
22	MU24 0064	2			BOLT and WASHER

ENGINE:	Q=1500 cc	A=2000 cc	TRANS:	A=Automatic	4=4-Speed Manual
	Blank=All	K=1600 cc (w/o Balance Shaft)		F=2600 cc (Car)	Blank=All
	W=2600 cc (Truck)				5=5-Speed Manual
					8=4 x 2 Manual
SERIES:	H=High	MODELS: 24 FWD=2-Dr Hatchback (Colt)		27 RWD-4WD=Pickup (Ram 50, Power Ram 50)	
	L=Low	P=Premium	24 RWD=2-Dr Hatchback (Conquest)	27 4WD=Sport Utility (Raider)	45 FWD=4-Dr Station Wagon (Colt)
	M=Medium	S=Special	41 FWD=4-Dr Sedan (Colt & Eagle Vista)	45 FWD-4WD=Station Wagon (Vista)	
AR=Use as Required	# =New Part Number	-- =Non Illustrated Part		Printed in U.S.A.	FEBRUARY, 1989

7769 1900

GLASS WINDSHIELD AND QUARTER
24 RWD CONQUEST



1987-88 IMPORT PARTS CATALOG

BODY - SHEET METAL
EXCEPT DOORS

Figure 23A-1900
Illus. Page 23A-59

ITEM	PART NUMBER	QTY	BODY	MODEL	DESCRIPTION
------	-------------	-----	------	-------	-------------

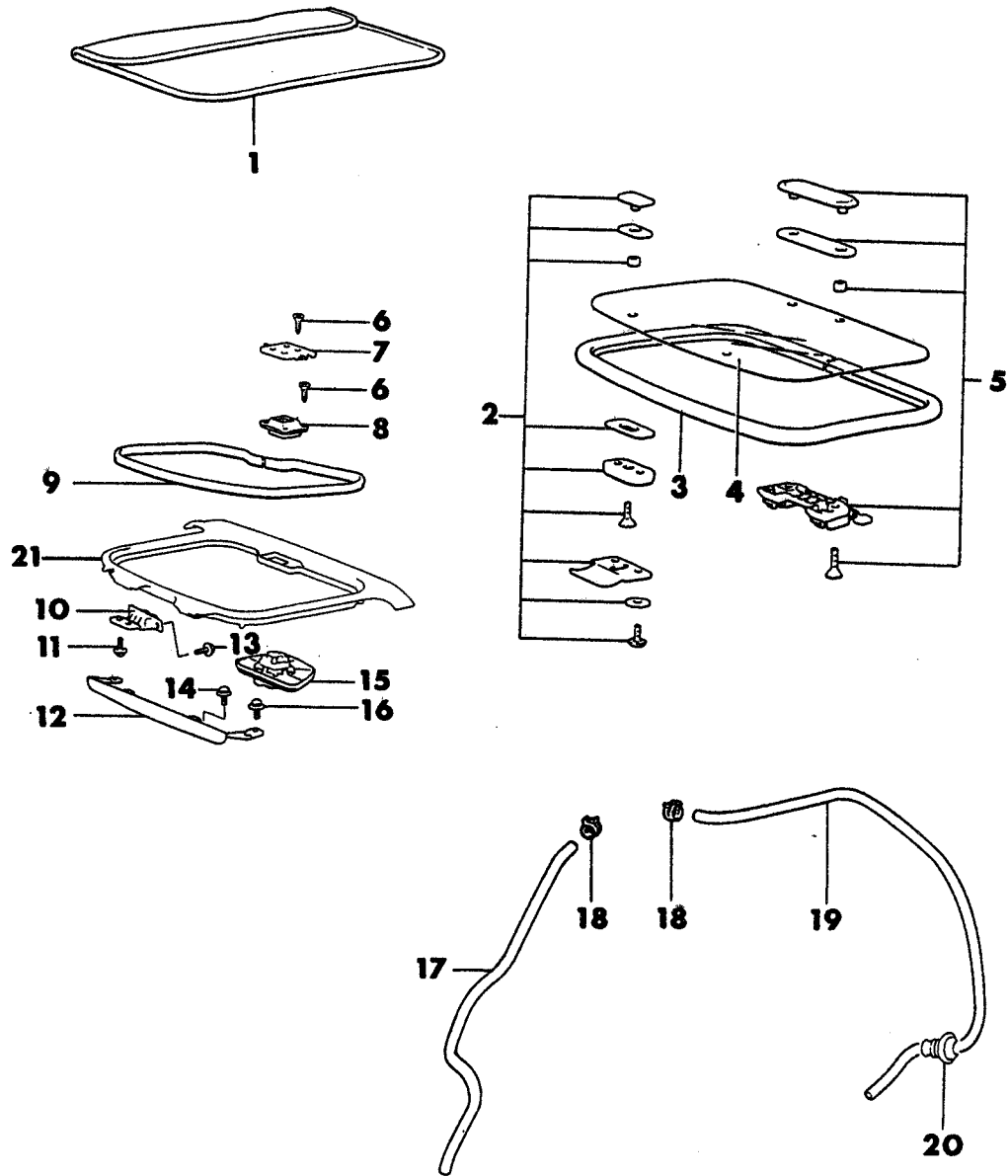
**GLASS WINDSHIELD AND QUARTER
24 RWD CONQUEST**

1	MB10 6791	1			DAM, Window
2	MB10 6792	2			SPACER, Windshield Lower
3	MB40 4352	1			GLASS, Windshield
4	MB10 6581	4			SPACER, Quarter Glass
5	MS44 0502	AR			NUT and WASHER
6	MB10 6580	4			BOLT, Quarter Glass
7					GLASS, Quarter
	MB40 4366	1			Left
	MB40 4367	1			Right
8	MB19 8553	2			TRIM, Quarter Glass Edge

ENGINE:	Q=1500 cc	A=2000 cc	TRANS:	A=Automatic	4=4-Speed Manual
Blank=All	K=1600 cc (w/o Balance Shaft)	F=2600 cc (Car)	Blank=All	M=All Manual	5=5-Speed Manual
	W=2600 cc (Truck)				8=4 x 2 Manual
SERIES:	H=High	MODELS: 24 FWD=2-Dr Hatchback (Colt)		27 RWD-4WD=Pickup (Ram 50, Power Ram 50)	
L=Low	P=Premium	24 RWD=2-Dr Hatchback (Conquest)		27 4WD=Sport Utility (Raider) 45 FWD=4-Dr Station Wagon (Colt)	
M=Medium	S=Special	41 FWD=4-Dr Sedan (Colt & Eagle Vista)		45 FWD-4WD=Station Wagon (Vista)	
AR=Use as Required	# = New Part Number	- = Non Illustrated Part		Printed in U.S.A.	FEBRUARY, 1989

7789 2000A

SUNROOF
24 RWD CONQUEST



1987-88 IMPORT PARTS CATALOG

BODY - SHEET METAL
EXCEPT DOORS

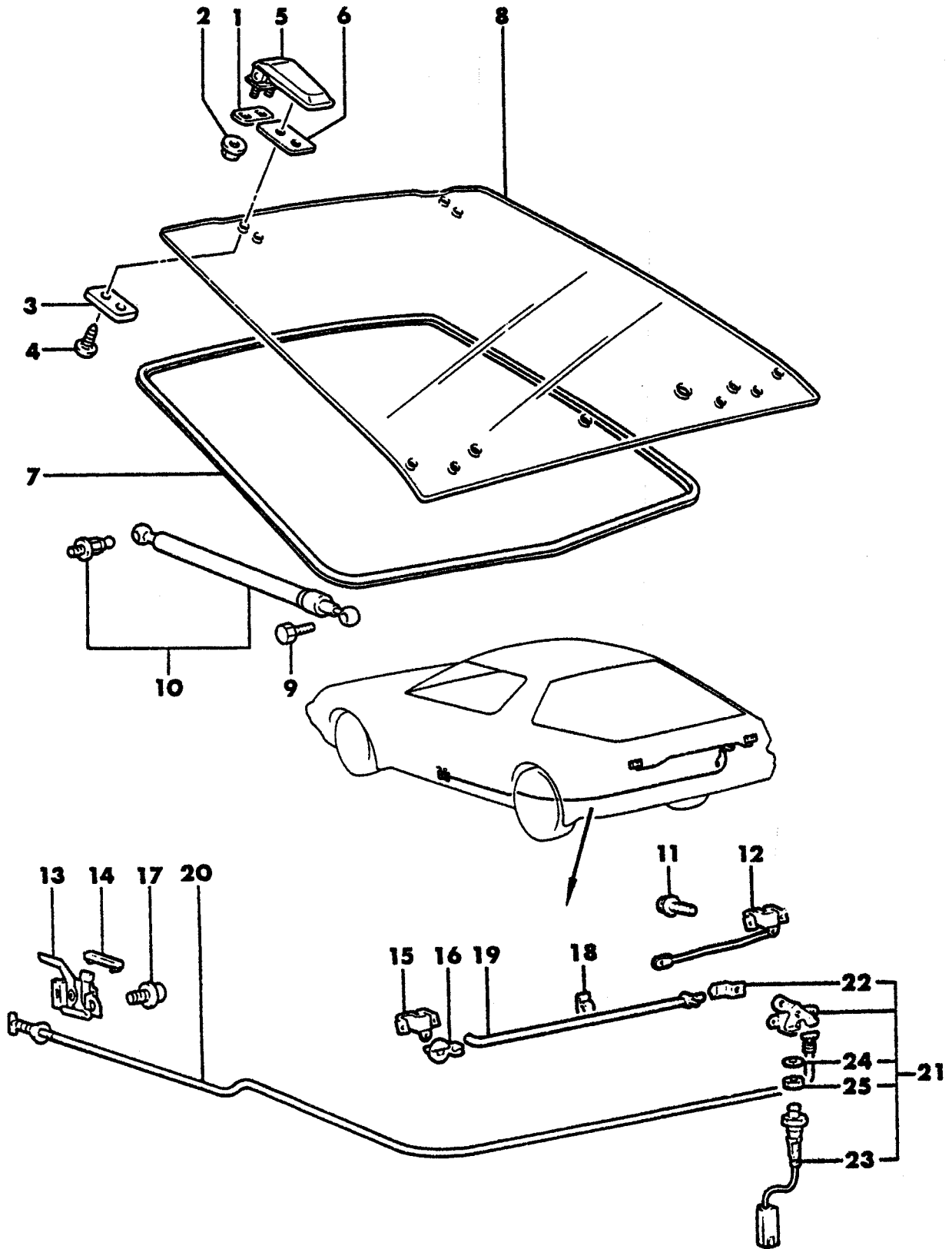
Figure 23A-2000
Illus. Page 23A-61

ITEM	PART NUMBER	QTY	BODY	MODEL	DESCRIPTION
SUNROOF 24 RWD CONQUEST					
1	MB19 8300	1			CASE, Sunroof Lid
2					HINGE ASSEMBLY, Male
	MB19 5704	1			Left
	MB19 5705	1			Right
3	MB19 5709	1			WEATHERSTRIP, Lid Outer
4	MB19 8532	1			GLASS
5	MB19 5820	1			LATCH ASSEMBLY, Sliding Lock
6	MS20 0206	8			SCREW, Tapping 5 x 16
7	MB16 8024	1			CATCH, Lid Latch
8	MB16 8023	1			RETAINER
9	MB19 5378	1			WEATHERSTRIP, Lid Inner
10					HINGE, Roof Lid
	MB16 8025	1			Left
	MB16 8026	1			Right
11	MS35 0025	4			SCREW and WASHER, 5 x 12
12	MB19 5376	1			DEFLECTOR ASSEMBLY
13	MS35 0038	4			SCREW and WASHER, 5 x 16
14	MS35 0941	4			SCREW and WASHER, 4 x 8
15	MB16 8020	1			REGULATOR, Lid
16	MS35 0040	2			SCREW and WASHER, 5 x 8
17	MB24 6826	2			PIPE, Drain
18	MS66 0165	4			CLIP, Hose 14.8
19	MB19 5708	2			PIPE, Drain
20	MB19 5906	2			GROMMET
21	MB23 3471	1			PANEL, Sunroof Inner

ENGINE:	Q=1500 cc	A=2000 cc	TRANS:	A=Automatic	4=4-Speed Manual
Blank=All	K=1600 cc (w/o Balance Shaft)	F=2600 cc (Car)	Blank=All	M=All Manual	5=5-Speed Manual
	W=2600 cc (Truck)				8=4 x 2 Manual
SERIES:	H=High	MODELS: 24 FWD=2-Dr Hatchback (Colt)	27 RWD-4WD=Pickup (Ram 50, Power Ram 50)		
L=Low	P=Premium	24 RWD=2-Dr Hatchback (Conquest)	27 4WD=Sport Utility (Raider)	45 FWD=4-Dr Station Wagon (Colt)	
M=Medium	S=Special	41 FWD=4-Dr Sedan (Colt & Eagle Vista)		45 FWD-4WD=Station Wagon (Vista)	
AR=Use as Required	# =New Part Number	- =Non Illustrated Part		Printed in U.S.A.	FEBRUARY, 1989

LIFTGATE GLASS AND LIFTGATE RELEASE
24 RWD CONQUEST

7769 2100



BODY - SHEET METAL
EXCEPT DOORS

ITEM	PART NUMBER	QTY	BODY	MODEL	DESCRIPTION
------	-------------	-----	------	-------	-------------

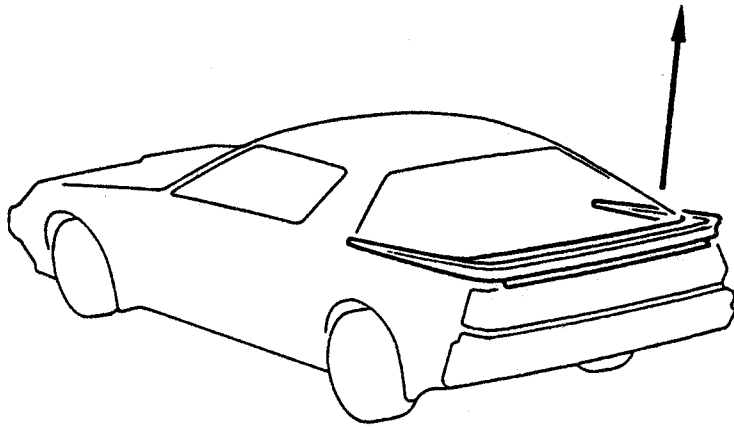
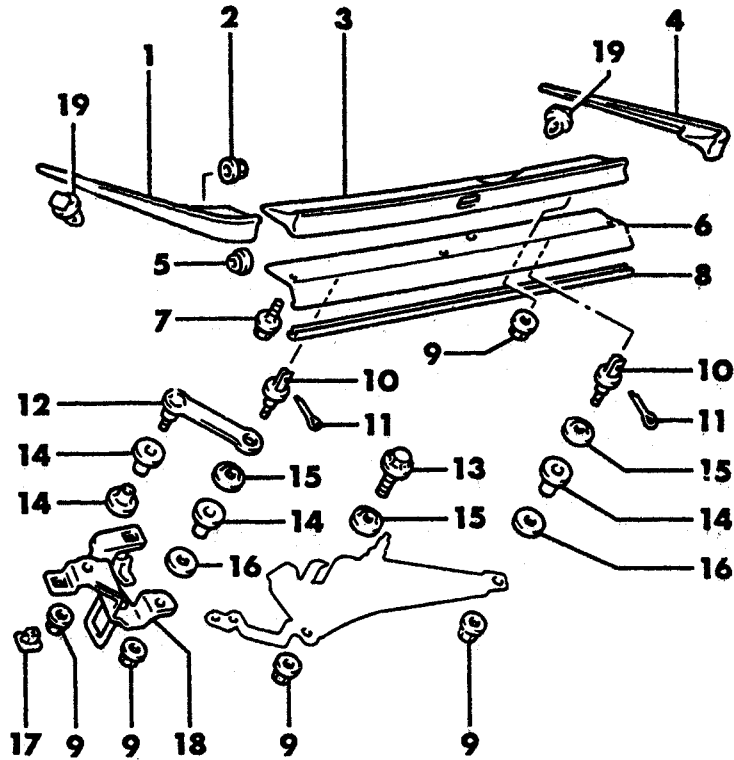
LIFTGATE GLASS AND LIFTGATE RELEASE
24 RWD CONQUEST

1	MB11 2346	2			SEAL, Tailgate Hinge Body
2	MS44 0522	4			NUT and WASHER
3	MB11 2343	2			PLATE, Liftgate Hinge Back
4	MU24 1002	4			SCREW and WASHER
5					HINGE, Liftgate
	MB11 2379	1			Left
	MB11 2380	1			Right
6	MB11 2344	2			PACKING
7	MB11 2500	1			WEATHERSTRIP, Liftgate Opening
8	MB42 2851	1			GLASS, Liftgate
9	MB11 2400	2			BOLT
10					STOPPER, Liftgate
	MB42 2865	1			Left w/Turbo Intercooler
	MB42 2866	1			Right w/Turbo Intercooler
11	MS24 0452	6			BOLT, 6 x 12
12	MB53 7424	1			LATCH, Liftgate Rt.
13					HANDLE, Liftgate Lock and Fuel Filler Door Release
	MB02 2944	1			Black
	MB44 5022	1			Red
	MB71 7664	1			Beige
14					COVER, Liftgate Lock Release Handle
	MB02 2941	1			Black
	MB40 2321	1			Beige
15	MB11 2753	1			LATCH, Liftgate Lt.
16	MB11 2145	1			HOLDER, Rod
17	MF35 1488	2			SCREW and WASHER
18	MS47 0425	1			CLIP, Rod
19	MB11 2754	1			ROD
20	MB11 2399	1			CABLE, Liftgate Lock Open
21	MB53 7135	1			LINK, Liftgate Latch
22	MB11 2412	1			SNAP, Rod
23	MB50 9417	1			SWITCH, Cargo Lamp
24	MF45 0885	1			WASHER, Tooth
25	MF43 0005	1			NUT

ENGINE:	Q=1500 cc	A=2000 cc	TRANS:	A=Automatic	4=4-Speed Manual
Blank=All	K=1600 cc (w/o Balance Shaft)	F=2600 cc (Car)	Blank=All	M=All Manual	5=5-Speed Manual
	W=2600 cc (Truck)				8=4 x 2 Manual
SERIES:	H=High	MODELS:	24 FWD=2-Dr Hatchback (Colt)	27 RWD-4WD=Pickup (Ram 50, Power Ram 50)	
L=Low	P=Premium		24 RWD=2-Dr Hatchback (Conquest)	27 4WD=Sport Utility (Raider)	45 FWD=4-Dr Station Wagon (Colt)
M=Medium	S=Special		41 FWD=4-Dr Sedan (Colt & Eagle Vista)		45 FWD-4WD=Station Wagon (Vista)
AR=Use as Required		#=New Part Number	-=Non Illustrated Part		

7789 2200

SPOILER LIFTGATE
24 RWD CONQUEST



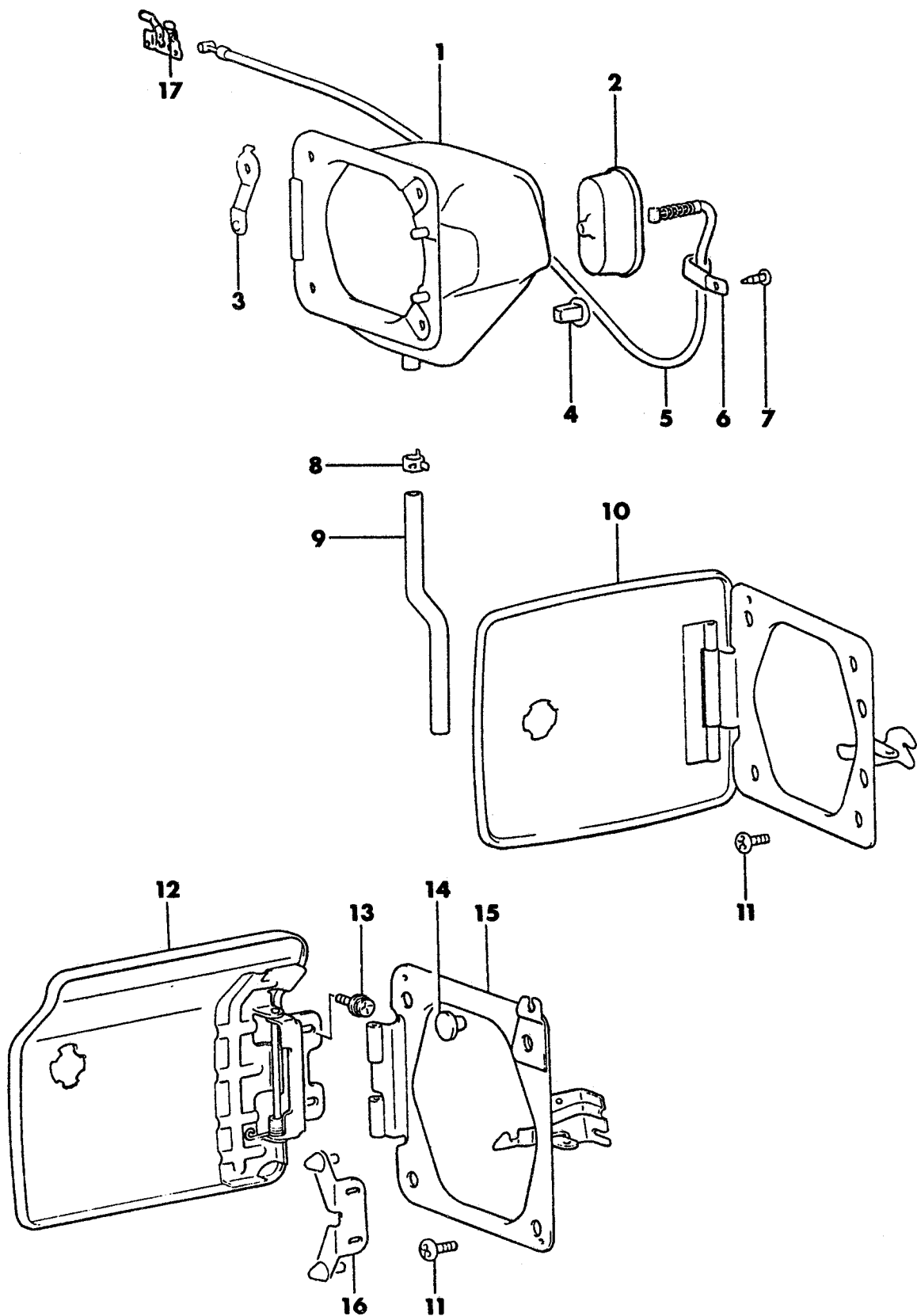
BODY - SHEET METAL
EXCEPT DOORS

ITEM	PART NUMBER	QTY	BODY	MODEL	DESCRIPTION
SPOILER LIFTGATE 24 RWD CONQUEST					
1	MB40 6863	1			SPOILER, Paint As Required
2	MS44 0502	6			NUT and WASHER
3	MB40 6849	1			SPOILER, Paint As Required
4	MB40 6864	1			SPOILER, Paint As Required
5	MS66 0183	2			PLUG
6	MB11 2782	1			GARNISH, Liftgate
7	MB33 7204	2			BOLT and WASHER
8	MB11 2447	1			PROTECTOR, Spoiler
9	MS44 0522	12			NUT and WASHER
10	MB11 2359	4			BOLT, Stud
11	MF47 2036	4			PIN, Spilt
12	MB11 2362	2			PLATE, Striker
13	MF14 0208	1			BOLT and WASHER
14	MB11 2847	7			PACKING
15	MB11 2363	3			WASHER
16	MB11 2848	2			PACKING
17	MB10 6583	4			GROMMET
18					STRIKER, Liftgate
	MB11 2295	1			Left
	MB11 2296	1			Right
19	#MB40 6999	2			CLIP, Up To 10-87
	MB13 2135	2			After 10-87

ENGINE:	Q=1500 cc	A=2000 cc	TRANS:	A=Automatic	4=4-Speed Manual
Blank=All	K=1600 cc (w/o Balance Shaft)	F=2600 cc (Car)	Blank=All	M=All Manual	5=5-Speed Manual
	W=2600 cc (Truck)				8=4 x 2 Manual
SERIES:	H=High	MODELS: 24 FWD=2-Dr Hatchback (Colt)	27 RWD-4WD=Pickup (Ram 50, Power Ram 50)		
L=Low	P=Premium	24 RWD=2-Dr Hatchback (Conquest)	27 4WD=Sport Utility (Raider)	45 FWD=4-Dr Station Wagon (Colt)	
M=Medium	S=Special	41 FWD=4-Dr Sedan (Colt & Eagle Vista)		45 FWD-4WD=Station Wagon (Vista)	
AR=Use as Required	# = New Part Number	- = Non Illustrated Part		Printed in U.S.A.	FEBRUARY, 1989

7788 2300

FUEL FILLER DOOR
24 RWD CONQUEST



1987-88 IMPORT PARTS CATALOG

BODY - SHEET METAL
EXCEPT DOORS

Figure 23A-2300
Illus. Page 23A-67

ITEM	PART NUMBER	QTY	BODY	MODEL	DESCRIPTION
FUEL FILLER DOOR 24 RWD CONQUEST					
1	MB02 2753	1			COVER, Filler Neck
2	MB02 2640	1			GROMMET
3	MB02 2648	1			SPRING
4	MB08 8341	1			GROMMET
5	MB02 2829	1			CABLE, Fuel Filler Door Lock Release
6	MS47 0163	1			CLIP
7	MF45 3093	1			SCREW, Tapping 5 x 16
8	MS66 0160	1			CLIP, Hose
9	MS61 2099	1			TUBE, Soft Vinyl 4 x 50 (Serviced In 394" Roll)
10	MB02 2711	1			DOOR, Fuel Filler 1987
11	MU20 0011	4			SCREW, Machine 1987
	MU20 0013	4			SCREW, Machine 1988
12	MB02 3117	1			PANEL, Fuel Filler Lid w/Turbo Intercooler
13	MU24 0003	1			BOLT, Washer 5 x 12 w/Turbo Intercooler 1987
	MU24 0060	1			1988
14	MB10 5563	1			BUMPER, Front Door w/Turbo Intercooler
15	MB02 3118	1			PANEL, Base Plate w/Turbo Intercooler
16	MB02 3125	1			STOPPER, w/Turbo Intercooler 1987
	MA14 1871	2			DAMPER, 1988
17					HANDLE, Fuel Filler Door and Liftgate Lock Release
	MB02 2944	1			Black w/Turbo Intercooler
	MB44 5022	1			Red w/Turbo Intercooler
	MB71 7664	1			Beige w/Turbo Intercooler

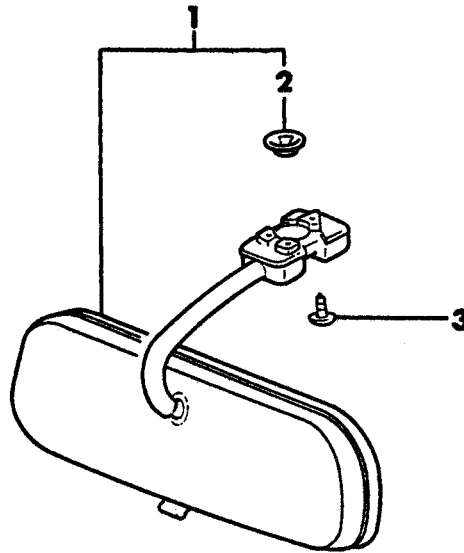
ENGINE:	Q=1500 cc	A=2000 cc	TRANS:	A=Automatic	4=4-Speed Manual
Blank=All	K=1600 cc (w/o Balance Shaft)	F=2600 cc (Car)	Blank=All	M=All Manual	5=5-Speed Manual
	W=2600 cc (Truck)				8=4 x 2 Manual

SERIES:	H=High	MODELS:	24 FWD=2-Dr Hatchback (Colt)	27 RWD-4WD=Pickup (Ram 50, Power Ram 50)
L=Low	P=Premium		24 RWD=2-Dr Hatchback (Conquest)	27 4WD=Sport Utility (Raider)
M=Medium	S=Special		41 FWD=4-Dr Sedan (Colt & Eagle Vista)	45 FWD=4-Dr Station Wagon (Colt)
				45 FWD-4WD=Station Wagon (Vista)

AR=Use as Required # =New Part Number - =Non Illustrated Part Printed in U.S.A. FEBRUARY, 1989

7789 2400

MIRROR INTERIOR REAR VIEW
24 RWD CONQUEST



BODY - SHEET METAL
EXCEPT DOORS

ITEM	PART NUMBER	QTY	BODY	MODEL	DESCRIPTION
------	-------------	-----	------	-------	-------------

MIRROR INTERIOR REAR VIEW
24 RWD CONQUEST

ITEM	PART NUMBER	QTY	BODY	MODEL	DESCRIPTION
1					MIRROR
	MB20 4336	1			Red
	MB44 4596	1			Black
	MB71 7683	1			Beige
2	MB25 3316	1			SPRING, Plate
3	MF45 3929	3			SCREW, Tapping 5 x 25

NOT FOR RESALE - UNKNOWN SOURCE - DOWNLOADED FOR FREE FROM:
WWW.STARQUESTGARAGE.COM

ENGINE:	Q=1500 cc	A=2000 cc	TRANS:	A=Automatic	4=4-Speed Manual
Blank=All	K=1600 cc (w/o Balance Shaft)	F=2600 cc (Car)	Blank=All	M=All Manual	5=5-Speed Manual
	W=2600 cc (Truck)				8=4 x 2 Manual
SERIES:	H=High	MODELS: 24 FWD=2-Dr Hatchback (Colt) 27 RWD-4WD=Pickup (Ram 50, Power Ram 50)		45 FWD=4-Dr Station Wagon (Colt)	
L=Low	P=Premium	24 RWD=2-Dr Hatchback (Conquest) 27 4WD=Sport Utility (Raider)		45 FWD-4WD=Station Wagon (Vista)	
M=Medium	S=Special	41 FWD=4-Dr Sedan (Colt & Eagle Vista)			
AR=Use as Required	# =New Part Number	- =Non Illustrated Part		Printed in U.S.A.	FEBRUARY, 1989