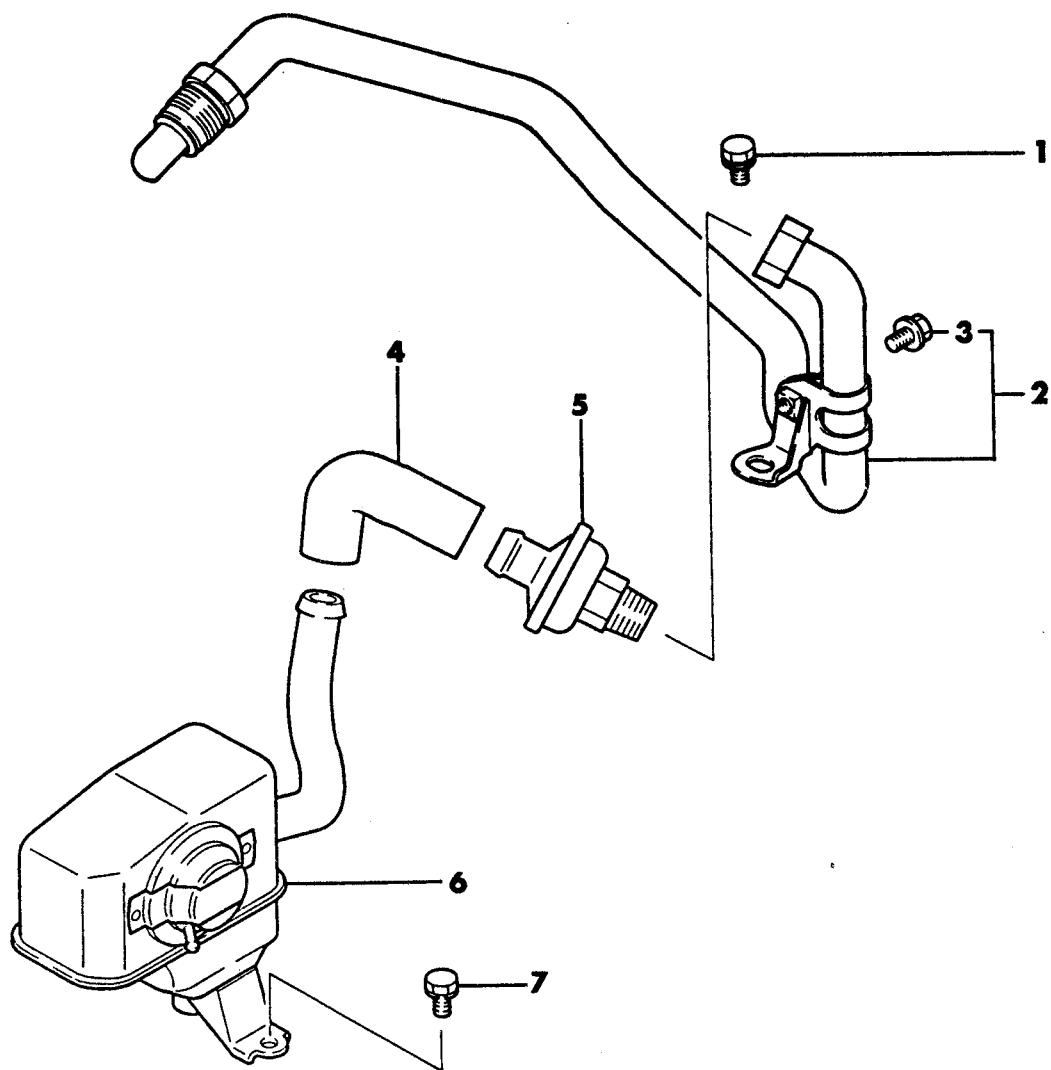


7725 300

SECONDARY AIR SUPPLY SYSTEM
24 RWD - CONQUEST



1987-88 IMPORT PARTS CATALOG

Figure 25-300
Illus. Page 25-7

EMISSION SYSTEMS

ITEM	PART NUMBER	QTY	BODY	MODEL	DESCRIPTION
------	-------------	-----	------	-------	-------------

SECONDARY AIR SUPPLY SYSTEM
24 RWD - CONQUEST

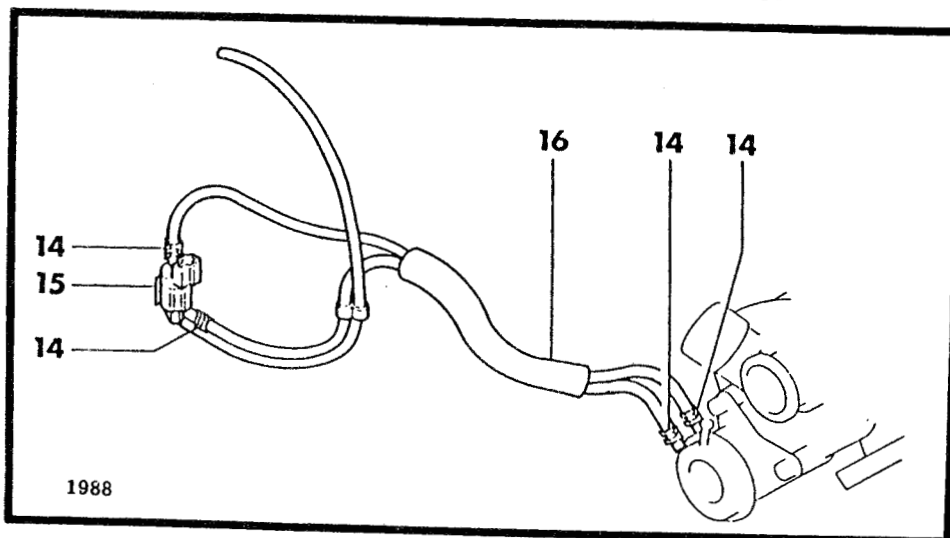
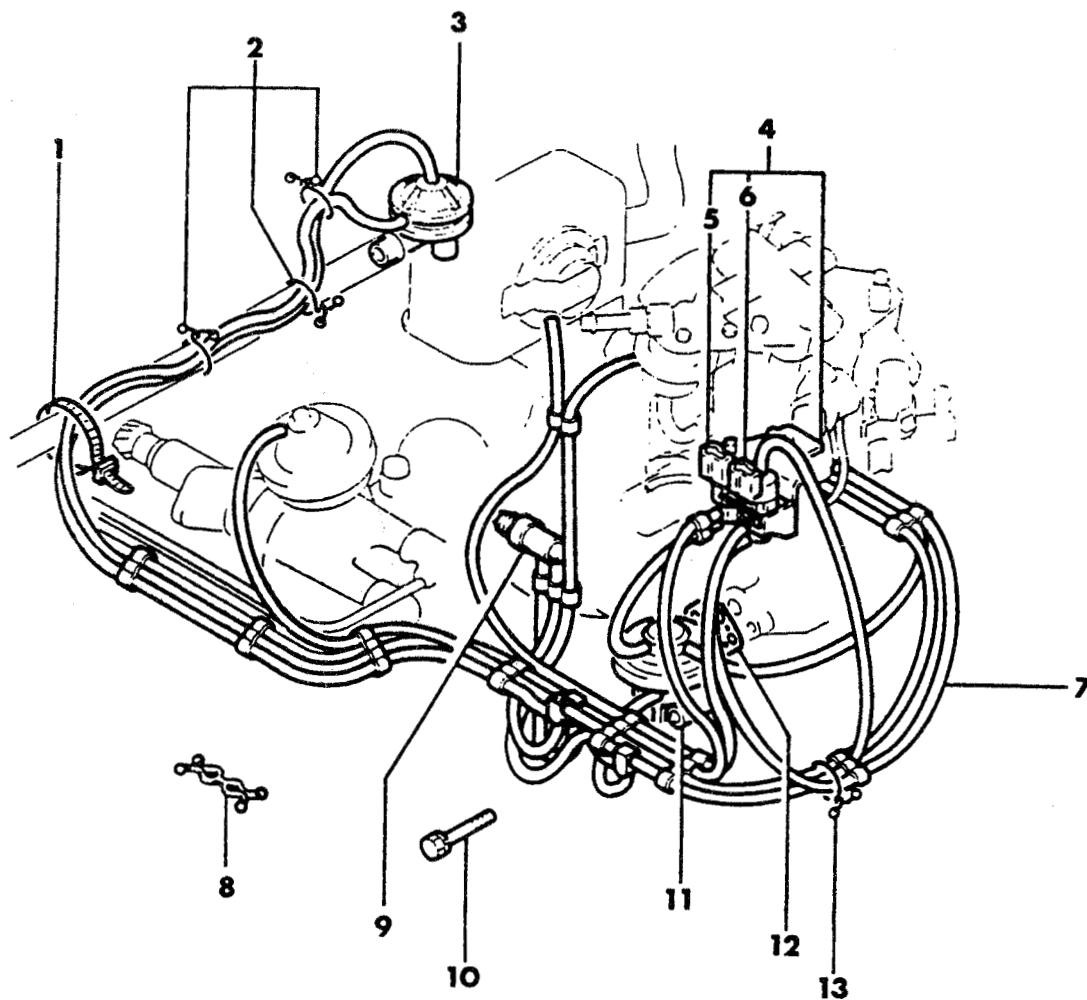
1	MF24 3649	1			BOLT and WASHER (8x16)
2	MD07 4426	1			PIPE ASSEMBLY, Air
3	MF14 0021	1			BOLT, Flange (8x12)
4	MD08 7361	1			HOSE, Air
5	MD00 0308	1			VALVE ASSEMBLY, Reed
6	MD11 5011	1			CLEANER ASSEMBLY, Secondary Air
7	#MF14 0022	1			BOLT and WASHER (8x16)

ENGINE:	Q=1500 cc	A=2000 cc	TRANS:	A=Automatic	4=4-Speed Manual
Blank=All	K=1600 cc (w/o Balance Shaft)	F=2600 cc (Car)	Blank=All	M=All Manual	5=5-Speed Manual
	W=2600 cc (Truck)				8=4 x 2 Manual
SERIES:	H=High	MODELS:	24 FWD=2-Dr Hatchback (Colt)	27 RWD-4WD=Pickup (Ram 50, Power Ram 50)	
L=Low	P=Premium		24 RWD=2-Dr Hatchback (Conquest)	27 4WD=Sport Utility (Raider)	45 FWD=4-Dr Station Wagon (Colt)
M=Medium	S=Special		41 FWD=4-Dr Sedan (Colt & Eagle Vista)		45 FWD-4WD=Station Wagon (Vista)

AR=Use as Required # =New Part Number - =Non Illustrated Part Printed in U.S.A. FEBRUARY, 1989

EGR SYSTEM
24 RWD - CONQUEST

7725 900 B



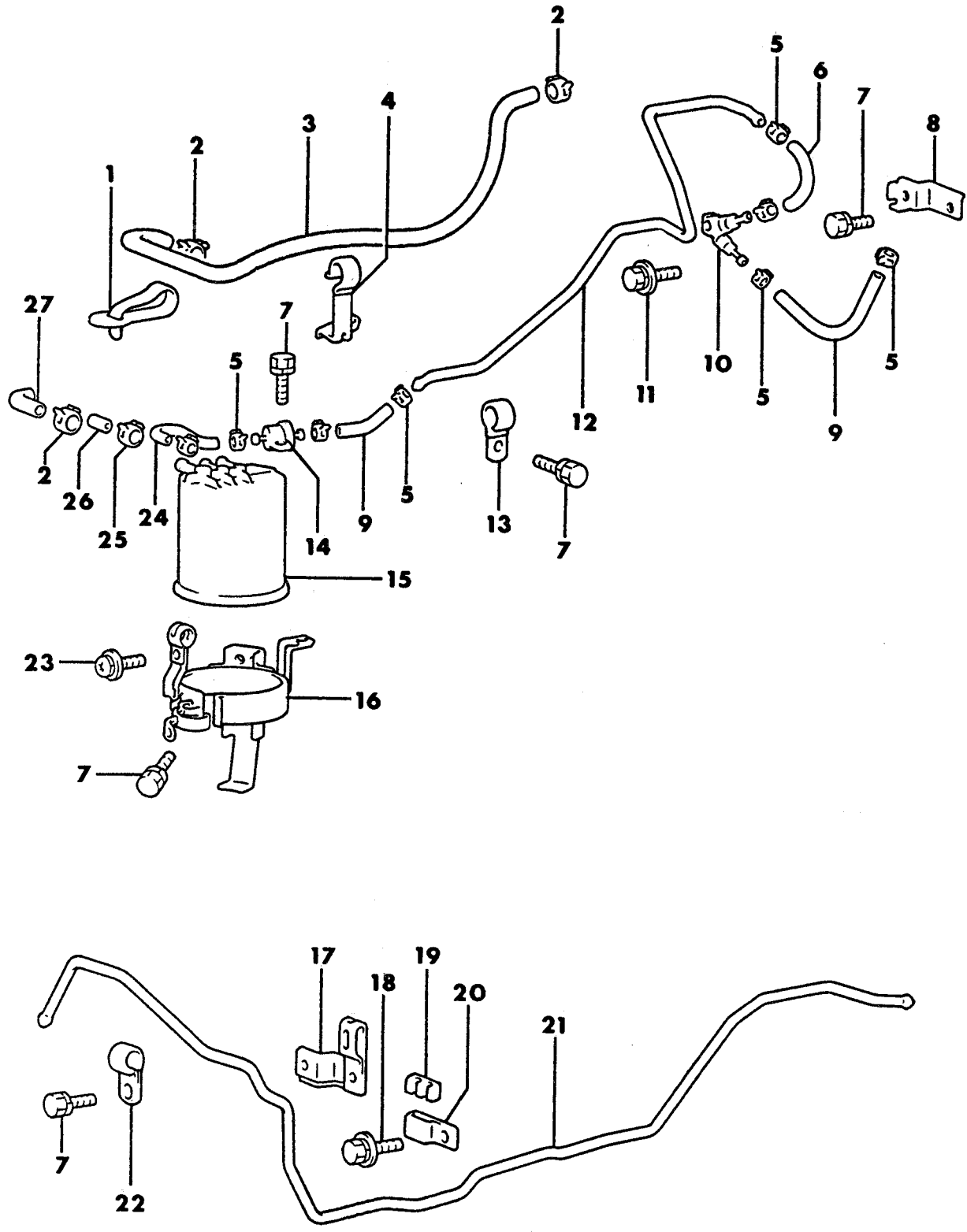
EMISSION SYSTEMS

ITEM	PART NUMBER	QTY	BODY	MODEL	DESCRIPTION
EGR SYSTEM 24 RWD - CONQUEST					
1	MB24 9338	1			BAND, Cable
2	MS47 0362	4			CLIP, Snap
3	MD01 1227	1			VALVE, Purge Control
4	MD08 9330	1			VALVE ASSEMBLY, Solenoid
5	# MD07 4897	1			VALVE ASSEMBLY, Solenoid - EGR Control Solenoid Valve
6	# MD08 9332	1			VALVE ASSEMBLY, Solenoid - Secondary Air Control Solenoid Valve
7	MD08 5585	1			HOSE ASSEMBLY, Vacuum
8	MS47 0365	1			CLIP, Snap
9	MD01 2895	1			VALVE ASSEMBLY, Thermo
10	MF24 1236	2			BOLT and WASHER (6x45)
11					VALVE ASSEMBLY, EGR
	MD07 0167	1			5 Speed
	MD07 0169	1			A Trans.
12	MD02 6567	1			GASKET, EGR Valve
13	MD00 6478	2			CLIP, Snap
14	MS66 0158	4			CLIP, Hose (6.8) 1988
15	MD12 4861	1			VALVE, Solenoid - Waste Gate Actuator Control Solenoid Valve 1988
16	MD12 5435	1			HOSE, Vacuum 1988

ENGINE:	Q=1500 cc	A=2000 cc	TRANS:	A=Automatic	4=4-Speed Manual
Blank=All	K=1600 cc (w/o Balance Shaft)	F=2600 cc (Car)	Blank=All	M=All Manual	5=5-Speed Manual
	W=2600 cc (Truck)				8=4 x 2 Manual
SERIES:	H=High	MODELS: 24 FWD=2-Dr Hatchback (Colt)	27 RWD-4WD=Pickup (Ram 50, Power Ram 50)		
L=Low	P=Premium	24 RWD=2-Dr Hatchback (Conquest)	27 4WD=Sport Utility (Raider)	45 FWD=4-Dr Station Wagon (Colt)	
M=Medium	S=Special	41 FWD=4-Dr Sedan (Colt & Eagle Vista)		45 FWD-4WD=Station Wagon (Vista)	
AR=Use as Required	#=New Part Number	--=Non Illustrated Part		Printed in U.S.A.	FEBRUARY, 1989

7725 1400

VAPOR CANISTER
 24 RWD - CONQUEST



1987-88 IMPORT PARTS CATALOG

Figure 25-1400
Illus. Page 25-39

EMISSION SYSTEMS

ITEM	PART NUMBER	QTY	BODY	MODEL	DESCRIPTION
VAPOR CANISTER 24 RWD - CONQUEST					
1	MS47 0087	1			BAND, Cable
2	MS66 0166	3			CLAMP, Hose
3	MB24 7764	1			HOSE, Purge
4	MB24 7763	1			CLIP, Hose
5	MS66 0169	9			CLAMP, Hose
6	MB18 1927	1			HOSE, Vapor
7	MF24 0024	8			BOLT and WASHER
8	MB22 0743	1			BRACKET, Check Valve
9	MS62 2599	1			HOSE, Vapor
10	MB05 2878	1			VALVE, Fuel Check
11	MF24 3630	1			BOLT and WASHER
12	MB34 8217	1			PIPE
13	MF47 7022	1			CLIP
14	MB00 9102	1			VALVE, 2 Way
15	MB12 9500	1			CANISTER, Vapor
16	MB18 1856	1			HOLDER, Canister
17	MB22 0789	1			CLIP
18	MF24 3648	1			BOLT and WASHER
19	MB12 9999	1			CLIP
20	MB15 1280	1			CLIP
21	MB24 7497	1			PIPE
22	MB07 5802	1			CLIP
23	MS35 0121	1			SCREW and WASHER
24	MB24 7765	1			HOSE, Purge
25	MS66 0164	1			CLAMP, Hose
26	MB12 9998	1			CAP, Drain Pipe
27	MB12 9692	1			HOSE, Purge

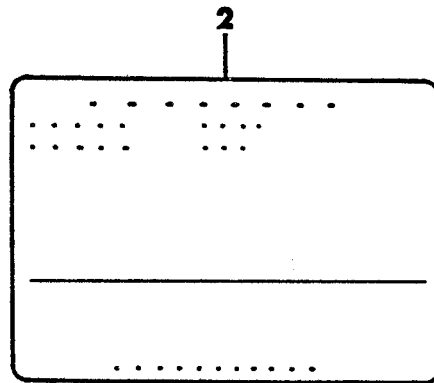
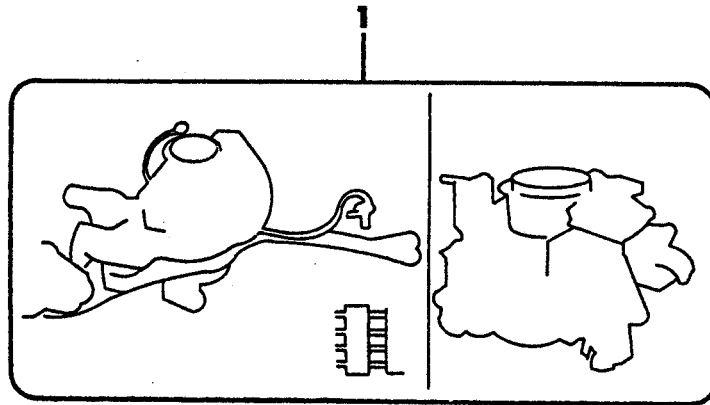
ENGINE:	Q=1500 cc	A=2000 cc	TRANS:	A=Automatic	4=4-Speed Manual
Blank=All	K=1600 cc (w/o Balance Shaft)	F=2600 cc (Car)	Blank=All	M=All Manual	5=5-Speed Manual
	W=2600 cc (Truck)				8=4 x 2 Manual

SERIES:	H=High	MODELS:	24 FWD=2-Dr Hatchback (Colt)	27 RWD-4WD=Pickup (Ram 50, Power Ram 50)
L=Low	P=Premium		24 RWD=2-Dr Hatchback (Conquest)	27 4WD=Sport Utility (Raider)
M=Medium	S=Special		41 FWD=4-Dr Sedan (Colt & Eagle Vista)	45 FWD=4-Dr Station Wagon (Colt)
				45 FWD-4WD=Station Wagon (Vista)

AR=Use as Required # =New Part Number - =Non Illustrated Part Printed in U.S.A. FEBRUARY, 1989

7725 2000

EMISSION LABELS
24 RWD - CONQUEST



1987-88 IMPORT PARTS CATALOG

Figure 25-2000
Illus. Page 25-53

EMISSION SYSTEMS

ITEM	PART NUMBER	QTY	BODY	MODEL	DESCRIPTION
------	-------------	-----	------	-------	-------------

EMISSION LABELS
24 RWD - CONQUEST

1					LABEL, Service
	#MD11 1569	1			1987
	MD12 6706	1			1988
2					LABEL, Emission
	#MD11 1454	1			Federal w/o Intercooler 1987
	MD11 1455	1			Calif. w/o Intercooler 1987
	#MD11 1456	1			Federal 5 Speed w/Intercooler 1987
	MD11 1457	1			Calif. 5 Speed w/Intercooler 1987
	MD12 6673	1			Federal 1988
	MD12 6674	1			Calif. 1988

ENGINE:	Q=1500 cc	A=2000 cc	TRANS:	A=Automatic	4=4-Speed Manual
Blank=All	K=1600 cc (w/o Balance Shaft)	F=2600 cc (Car)	Blank=All	M=All Manual	5=5-Speed Manual
	W=2600 cc (Truck)				8=4 x 2 Manual

SERIES:	H=High	MODELS:	24 FWD=2-Dr Hatchback (Colt)	27 RWD-4WD=Pickup (Ram 50, Power Ram 50)
L=Low	P=Premium		24 RWD=2-Dr Hatchback (Conquest)	27 4WD=Sport Utility (Raider)
M=Medium	S=Special		41 FWD=4-Dr Sedan (Colt & Eagle Vista)	45 FWD=4-Dr Station Wagon (Colt)
				45 FWD-4WD=Station Wagon (Vista)

AR=Use as Required # =New Part Number --=Non Illustrated Part Printed in U.S.A. FEBRUARY, 1989